

# Obey™ 10 DMX Controller

## Snapshot

Ok on Dimmer	⊘
Outdoor OK	⊘
Sound-Activated	✓
DMX512	✓
Master/Slave	⊘
115V/230V Switch	⊘
Replaceable Fuse	⊘
User Serviceable	⊘

## USER MANUAL



# TABLE OF CONTENTS

<b>1. Before You Begin</b> .....	<b>5</b>
WHAT IS INCLUDED .....	5
UNPACKING INSTRUCTIONS .....	5
SAFETY INSTRUCTIONS .....	5
<b>2. Introduction</b> .....	<b>6</b>
FEATURES .....	6
PRODUCT OVERVIEW (REAR PANEL) .....	6
PRODUCT OVERVIEW (FRONT) .....	7
COMMON TERMS .....	8
<b>3. Operating Instructions</b> .....	<b>9</b>
SETUP .....	9
Setting up the System .....	9
Fixture Addressing .....	9
Physical Fader Assignment (OPTIONAL SETUP) .....	10
Reverse Channel Output (OPTIONAL SETUP) .....	11
Reset to Factory Default .....	11
Blackout .....	11
Fade Assignment (OPTIONAL SETUP) .....	11
PROGRAMMING .....	12
Entering program mode .....	12
Delete a Step .....	12
Delete Chase .....	12
ADDING A STEP TO A CHASE .....	13
Delete a Chase .....	13
PLAYBACK .....	14
Manual Run Chase .....	14
Running in Sound-Mode .....	14
Running in Auto-Mode .....	14
RUNNING SEQUENTIAL CHASES .....	14
<b>4. Appendix</b> .....	<b>15</b>
TECHNICAL SPECIFICATIONS .....	15
<b>Returns</b> .....	<b>16</b>
<b>Contact Us</b> .....	<b>17</b>
<b>1. Antes de empezar</b> .....	<b>18</b>
QUÉ VA INCLUIDO .....	18
INSTRUCCIONES DE DESEMBALAJE .....	18
INSTRUCCIONES DE SEGURIDAD .....	18
<b>2. Introducción</b> .....	<b>19</b>
CARACTERÍSTICAS .....	19
VISTA GENERAL DEL PRODUCTO (PANEL POSTERIOR) .....	19
VISTA GENERAL DEL PRODUCTO (FRENTE) .....	20
TÉRMINOS COMUNES .....	21
<b>3. Instrucciones de funcionamiento</b> .....	<b>22</b>
INSTALACIÓN .....	22
Instalación del sistema .....	22
Asignación de dirección al aparato .....	22
Asignación del <i>fader</i> físico (CONFIGURACIÓN OPCIONAL) .....	23
Salida de canal inversa (CONFIGURACIÓN OPCIONAL) .....	24
Reiniciar a la configuración de fábrica .....	24
Blackout .....	24
Asignación de fade (CONFIGURACIÓN OPCIONAL) .....	25
PROGRAMACIÓN .....	26
Entrar en el modo programa .....	26
Borrar un paso .....	26
Borrar secuencia .....	27
AÑADIR UN PASO A UNA SECUENCIA .....	27
Borrar una secuencia .....	27
REPRODUCCIÓN .....	28
Secuencia de ejecución manual .....	28

Ejecutar en modo Sonido .....	28
Ejecutar en modo Automático .....	28
EJECUTAR SECUENCIAS EN ORDEN SECUENCIAL .....	28
<b>4. Apéndice .....</b>	<b>29</b>
ESPECIFICACIONES TÉCNICAS .....	29
<b>Devolu-ciones .....</b>	<b>30</b>
<b>Contacto .....</b>	<b>31</b>
<b>1. Avant de commencer .....</b>	<b>32</b>
CONTENU DE L'EMBALLAGE .....	32
INSTRUCTIONS DE DEBALLAGE .....	32
INSTRUCTIONS DE SECURITE.....	32
<b>2. Introduction .....</b>	<b>33</b>
CARACTERISTIQUES .....	33
VUE D'ENSEMBLE DU PRODUIT (FACE ARRIERE) .....	33
VUE D'ENSEMBLE DU PRODUIT (AVANT).....	34
TERMES USUELS .....	35
<b>3. Instructions d'emploi .....</b>	<b>36</b>
INSTALLATION .....	36
INSTALLATION DU SYSTEME .....	36
ADRESSAGE DE L'APPAREIL .....	36
ASSIGNATION DE FADER PHYSIQUE (CONFIGURATION OPTIONNELLE).....	37
SORTIE DE CANAL INVERSEE (CONFIGURATION OPTIONNELLE) .....	38
RESTAURATION DES REGLAGES D'USINE .....	38
BLACKOUT .....	38
ASSIGNATION DE FONDU (CONFIGURATION OPTIONNELLE).....	39
PROGRAMMATION.....	40
PASSAGE EN MODE PROGRAMME .....	40
SUPPRESSION D'UN PAS.....	40
SUPPRESSION DE SEQUENCE (CHASE).....	41
AJOUT D'UN PAS A UNE SEQUENCE .....	41
SUPPRESSION D'UNE SEQUENCE.....	41
LECTURE .....	42
LECTURE MANUELLE D'UNE SEQUENCE (CHASE).....	42
FONCTIONNEMENT EN MODE ACTIVE PAR LE SON.....	42
FONCTIONNEMENT EN MODE AUTOMATIQUE .....	42
LECTURE ENCHAINEE DES SEQUENCES .....	42
<b>4. Appendice .....</b>	<b>43</b>
CARACTERISTIQUES TECHNIQUES .....	43
<b>Renvois .....</b>	<b>44</b>
<b>Nous Contacter .....</b>	<b>45</b>
<b>1. Erste Schritte .....</b>	<b>46</b>
PACKUNGSINHALT .....	46
ANWEISUNGEN FÜR DAS AUSPACKEN .....	46
SICHERHEITSANWEISUNGEN .....	46
<b>2. Einleitung .....</b>	<b>47</b>
EIGENSCHAFTEN .....	47
PRODUKTÜBERSICHT (RÜCKSEITIGES BEDIENFELD) .....	47
PRODUKTÜBERSICHT (VORDERSEITE) .....	48
ALLGEMEINE BEGRIFFE.....	49
<b>3. Betriebsanweisungen .....</b>	<b>50</b>
EINRICHTEN DES GERÄTS .....	50
Einrichten des Systems.....	50
Adressierung des Geräts.....	50
Zuweisung physischer Fader (OPTIONALE EINRICHTUNG) .....	51
Umgekehrter Kanalausgang (OPTIONALE EINRICHTUNG) .....	52
Auf die Werkseinstellungen zurücksetzen .....	52
Verdunkelung .....	52
Fade-Zuweisung (OPTIONALE EINRICHTUNG) .....	53
PROGRAMMIERUNG .....	54
Aufrufen des Programm-Modus .....	54

Löschen eines Schritts .....	55
Löschen eines Chase.....	55
HINZUFÜGEN EINES SCHRITTS ZU EINEM CHASE.....	55
Löschen eines Chase.....	56
WIEDERGABE.....	56
Manuelle Ausführung des Chase.....	56
Ausführen im Musiksteuerungs-Modus.....	56
Ausführen im Auto-Modus.....	56
AUSFÜHREN MEHRERER CHASES IN EINER SEQUENZIELLEN REIHENFOLGE .....	56
<b>4. Anhang .....</b>	<b>57</b>
TECHNISCHE DATEN .....	57
<b>Rekla-mationen .....</b>	<b>58</b>
<b>Kontakt.....</b>	<b>59</b>
<b>1. Voordat u begint.....</b>	<b>60</b>
WAT IS ER INBEGREPEN .....	60
UITPAKINSTRUCTIES .....	60
VEILIGHEIDSI NSTRUCTIES.....	60
<b>2. Inleiding.....</b>	<b>61</b>
EIGENSCHAPPEN.....	61
PRODUCTOVERZICHT (ACHTERPANEEL) .....	61
PRODUCTOVERZICHT (VOORZIJDE).....	62
VEELGEBRUIKTE TERMEN .....	63
<b>3. Gebruiksaanwijzing.....</b>	<b>64</b>
INSTELLING.....	64
Instellen van het systeem.....	64
Adressering van de armatuur.....	64
Fysieke fadertoewijzing (OPTIONELE INSTELLING).....	65
Omgekeerde kanaaluitgang (OPTIONELE INSTELLING).....	66
Herstellen naar de fabrieksstandaard .....	66
Verduistering .....	66
Fadetoewijzing (OPTIONELE INSTELLING) .....	66
PROGRAMMEREN .....	67
Naar de programmeringsmodus gaan .....	67
Een stap verwijderen.....	67
Een achtervolging verwijderen .....	68
EEN STAP TOEVOEGEN AAN EEN ACHTERVOLGING .....	68
Een achtervolging wissen.....	68
AFSPELEN .....	69
Handmatig afspelen van een achtervolging.....	69
WANNEER DE STROOM VOOR HET EERST WORDT INGESCHAKELD, IS DE REGELAAR IN HANDMATIGE SCÈNEMODUS. ....	69
Afspelen in geluidsmodus .....	69
Afspelen in automatische modus .....	69
AFSPELEN VAN SEQUENTIËLE ACHTERVOLGINGEN .....	69
<b>4. Bijlage.....</b>	<b>70</b>
TECHNISCHE SPECIFICATIES .....	70
<b>Retouren .....</b>	<b>71</b>
<b>Neem contact Op .....</b>	<b>72</b>

# 1. BEFORE YOU BEGIN

## What is Included

Obey™ 10 controller  
DC 12V 500mA, 110V Power Adapter or 230V Power Adapter  
User Manual  
Warranty card

## Unpacking Instructions

Immediately upon receiving a fixture, carefully unpack the carton, check the contents to ensure that all parts are present, and have been received in good condition. Notify the shipper immediately and retain packing material for inspection if any parts appear damaged from shipping or the carton itself shows signs of mishandling. Save the carton and all packing materials. In the event that a fixture must be returned to the factory, it is important that the fixture be returned in the original factory box and packing.

## Safety Instructions



**Please read these instructions carefully, which includes important information about the installation, usage and maintenance of this product.**

- Please keep this User Guide for future consultation. If you sell the unit to another user, be sure that they also receive this instruction booklet.
- Always make sure that you are connecting to the proper voltage and that the line voltage you are connecting to is not higher than that stated on decal or rear panel of the fixture.
- This product is intended for indoor use only!
- To prevent risk of fire or shock, do not expose fixture to rain or moisture. Make sure there are no flammable materials close to the unit while operating.
- The unit must be installed in a location with adequate ventilation, at least 50cm from adjacent surfaces. Be sure that no ventilation slots are blocked.
- Always disconnect from power source before servicing or replacing lamp or fuse and be sure to replace with same lamp source.
- In the event of serious operating problem, stop using the unit immediately. Never try to repair the unit by yourself. Repairs carried out by unskilled people can lead to damage or malfunction. Please contact the nearest authorized technical assistance center. Always use the same type spare parts.
- Do not connect the device to a dimmer pack.
- Make sure power cord is never crimped or damaged.
- Never disconnect power cord by pulling or tugging on the cord.
- Do not operate this device in more than 113 °F ambient temperature conditions.
- To eliminate unnecessary wear and improve its lifespan, during periods of non-use completely disconnect the product from power via breaker or by unplugging it. To eliminate unnecessary wear and improve its lifespan, during periods of non-use completely disconnect the product from power via breaker or by unplugging it.

### **Caution!**

***There are no user-serviceable parts inside the unit. Do not open the housing or attempt any repairs yourself. In the unlikely event your unit may require service, please contact Chauvet at [www.chauvetlighting.com](http://www.chauvetlighting.com).***

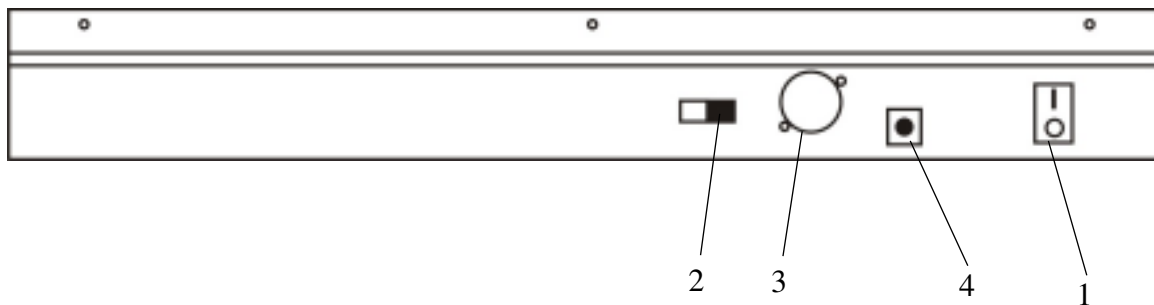
## 2. INTRODUCTION

The Obey™ 10 is a universal intelligent lighting controller. It allows the control of 8 fixtures composed of 16 channels each and up to 6 programmable chases. Six chase banks can contain up to 999 steps. Programs can be triggered by music, automatically or manually. Channel assignments can be reprogrammed for ease of controlling different fixtures. On the surface you will find various programming tools such as 8 universal channel sliders, quick access scanner buttons, and an LED display indicator for easier navigation of controls and menu functions.

### Features

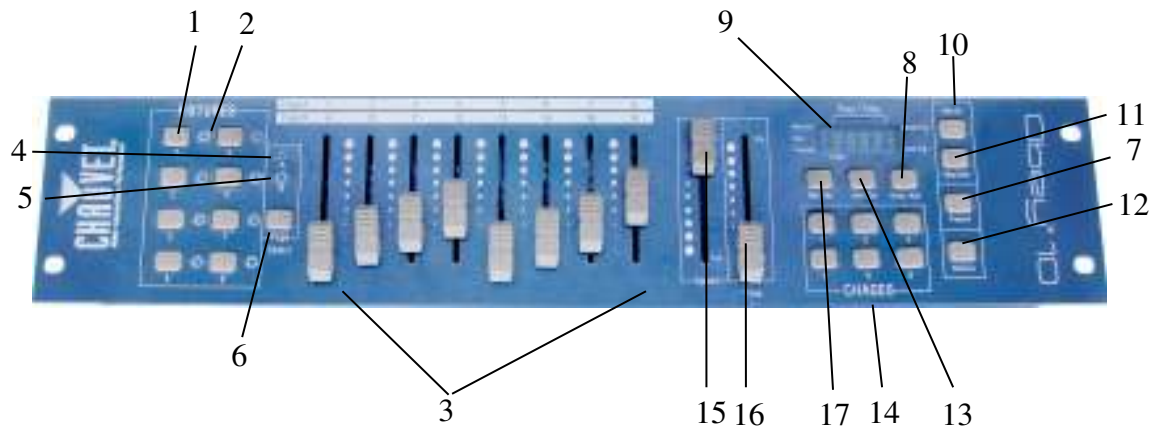
- Universal DMX-512 controller
- Controls up to 8 intelligent lights of up to 16 channels each
- 128 DMX channels of control
- 6 sets of chases containing 999 scenes each
- Reversible sliders
- Re-assignable channels
- Sequential linking of chases
- Grab any fixture on the fly
- Beat activation and auto run
- DMX polarity selector
- 2-space (2U) rack mount

### Product Overview (rear panel)



Item	Button or Fader	Function
1	Power On/Off switch	Used to turn the power on/Off while it is plugged into the power adapter
2	DMX polarity switch	May be used to change signal polarity
3	DMX output connector	DMX control signal
4	DC Input jack	Main power feed

## Product Overview (front)



Item	Button or Fader	Function
1	Fixture select buttons	Fixture selection
2	Fixture indicator LED's	Indicates the fixtures currently selected
3	Channel faders	For adjusting DMX values, Ch 1~8 can be adjusted immediately after pressing the respective scanner select button, Ch 9~16 after pressing the Page select button
4	Page A Indicator LED	Represents Ch 1~8 range selected
5	Page B Indicator LED	Represents Ch 9~16 range selected
6	Page select button	Press to toggle between pages of control.
7	Program button	Used to enter programming mode
8	Music/Add Copy button	Used to activate Music mode and as the confirm command during programming
9	LED display window	Status window displays pertinent operational data
10	Step Up button	Function button to scroll through steps in a scene during programming and playback
11	Step Down button	Function button to scroll through steps in a scene during programming and playback
12	Blackout button	Reduces all DMX values to zero.
13	Auto/Del button	Used to activate Auto mode and as the delete function key during programming
14	Chase buttons	Chase memory 1 ~ 6
15	Speed fader	This will adjust the hold time of a scene or a step within a chase
16	Fade Time fader	Also considered a cross-fade, sets the interval time between two scenes in a chase
17	Step/Dis button	This is used to change steps and modify the display from 0-255 or 0-100%

## Common Terms

The following are common terms used in intelligent light programming.

- § **Blackout** is a state where all lighting fixtures' light output are set to 0 or off, usually on a temporary basis.
- § **DMX-512** is an industry standard digital communication protocol used in entertainment lighting equipment. For more information read Sections "DMX Primer" and "DMX Control Mode" in the Appendix.
- § **Fixture** refers to your lighting instrument or other device such as a fogger or dimmer which you can control.
- § **Programs** are a bunch of scenes stacked one after another. It can be programmed as either a single scene or multiple scenes in sequence.
- § **Scenes** are static lighting states.
- § **Sliders** are also known as faders.
- § **Chases** can also be called programs. A chase consists of a bunch of scenes stacked one after another.
- § **Scanner** refers to a lighting instrument with a pan and tilt mirror; however DMX controllers can use this term to control any DMX-512 compatible device as a generic fixture.
- § **MIDI** is a standard for representing musical information in a digital format. A MIDI input would provide external triggering of scenes using midi device such as a midi keyboard.
- § **Standalone** refers to a fixture's ability to function independently of an external controller and usually in sync to music, due to a built in microphone.
- § **Fade** slider is used to adjust the time between scenes within a chase.
- § **Speed** slider affects the amount of time a scene will hold its state. It is also considered a wait time.
- § **Shutter** is a mechanical device in the lighting fixture that allows you to block the lights path. It is often used to lessen the intensity of the light output and to strobe.
- § **Patching** refers to the process of assigning faders to a DMX channel within a fixture.
- § **Playbacks** can be either scenes or chases that are directly called to execution by the user. A playback can also be considered program memory that can be recalled during a show



# 3. OPERATING INSTRUCTIONS

## Setup

### Setting up the System

- 1) Place the Obey™ 10 on a level surface.  
*Note! The Obey™ 10 can also be rack mounted, occupying two rack spaces (2U).*
- 2) Plug the AC to DC power supply into the system back panel and into the mains outlet.
- 3) Plug in your DMX cable(s) to your intelligent lighting as described in the respective fixture's manual. For a quick overview of DMX see the "DMX Primer" section.
- 4) Reset the system using the instructions on page 9.

### Fixture Addressing

The Obey™ 10 is programmed to control 16 channels of DMX per fixture. Therefore, the fixtures you wish to control with the corresponding "**FIXTURE**" buttons on the unit must be spaced 16 channels apart (check the respective fixture's manual for how to enter the information into the fixture).

**Note:** failure to use these DMX assignments may cause a lack of control of the fixtures.

<b>FIXTURE OR SCANNER #</b>	<b>DEFAULT DMX STARTING ADDRESS</b>	<b>BINARY DIPSWITCH SETTINGS SWITCH TO THE "ON POSITION"</b>
1	1	1
2	17	1,5
3	33	1,6
4	49	1,5,6
5	65	1,7
6	81	1,5,7
7	97	1,6,7
8	113	1,5,6,7

## Physical Fader Assignment (OPTIONAL SETUP)

Use this feature to combine or unify fixture control attributes for different fixtures. For example; if you were controlling 4 moving mirrors and 4 moving yokes, the color, gobo and dimmer channels may not line up ideally on the physical faders. Use this function to re-assign the dimmer, color and gobo channels to faders 1, 2 and 3. From now on you will be able to control the same attributes on all fixtures using the same fader location.

### Action •

- 1) Press and hold **PROGRAM & STEP/DIS** buttons together (1) time to access the channel assignment mode.
- 2) Press a **FIXTURE** button that represents the fixture whose faders you would like to re-assign.
- 3) Move the **SPEED** fader until you arrive at controller channel (number).
- 4) Move the **FADE TIME** fader to select the DMX channel that you wish to move to.
- 5) Press the **MUSIC/ADD** button to confirm setting. All **FIXTURES** LED indicators will flash to confirm successful copy.
- 6) Repeat steps 3 ~ 5 as often as necessary.

If you wish to copy a scanner's physical assignments to another scanner, continue by following steps 7-13. If you do not wish to do this, press **PROGRAM** and **Step/Dis** buttons twice to exit the mode.

### Example: Copying Scanner 1 into Scanner 2

- 1) Press and hold **FIXTURE** button # 1.
- 2) While holding button # 1 press **FIXTURE** button # 2.
- 3) While holding **FIXTURE** buttons # 1 and # 2, press and hold **MUSIC/ADD** button.
- 4) Release **SCANNER** button # 1 first before releasing **SCANNER** button # 2.
- 5) Release **MUSIC/ADD** button.
- 6) All **FIXTURES** LED indicators will flash to confirm successful copy.
- 7) Press and hold **PROGRAM & STEP/DIS** buttons (2) times to exit mode.

### Notes ✕

*All physical faders can be re-assigned to output on a different DMX channel. Faders are given a channel number and are labeled on the surface of the controller as such.*

## Reverse Channel Output (OPTIONAL SETUP)

### Action •

- 1) Press and hold **PROGRAM & STEP/DIS** buttons together (2) times to access the channel assignment mode then press the **FIXTURE** button.
- 2) Select **FIXTURE**.
- 3) Move the **SPEED** fader until you arrive at the controller channel you wish to alter.
- 4) Move the **FADE TIME** fader all the way up until N changes to Y.

If you wish to copy a scanner's reverse channel assignments to another scanner, continue by following steps 5-11. If you do not wish to do this, press and hold **PROGRAM & TAPSYNC** buttons (1) times to exit mode.

### Example: Copying Scanner 1 into Scanner 2

- 1) Press and hold **FIXTURE** button # 1.
- 2) While holding button # 1 press **FIXTURE** button # 2.
- 3) While holding **FIXTURE** buttons # 1 and # 2, press and hold **MUSIC/ADD** button.
- 4) Release **FIXTURE** button # 1 first before releasing **FIXTURE** button # 2.
- 5) Release **MUSIC/ADD** button.
- 6) All **FIXTURES** LED indicators will flash to confirm successful copy.
- 7) Press and hold **PROGRAM & STEP/DIS** buttons (1) times to exit mode.

### Notes ✖

*You can permanently reverse the output of any given channel on the controller.*

## Reset to Factory Default

### Action •

- 1) Press the **STEP UP** and **AUTO/DEL** buttons simultaneously.
- 2) All LEDs will flash, indicating a successful reset of the controller.

### Notes ✖

*This will erase all saved Chases!*

*This will work in any mode: Program or Playback.*

## Blackout

The **Blackout** button brings all lighting output to 0 or off (also called the home position of the unit).

## Fade Assignment (OPTIONAL SETUP)

Use this feature to turn the fade slider on or off for a certain channel. This is most useful when you want the fade time to affect the pan/tilt of a fixture for smoother movements, but do not wish to use this function on things such as shutter or color or gobo, as these should switch very fast most times.

### Action •

- 1) Press and hold **BLACKOUT & STEP/DIS** buttons together (2) times to access the channel assignment mode. then press the **FIXTURE** button.
- 2) Select **FIXTURE**.
- 3) Move the **SPEED** fader until you arrive at the controller channel you wish to alter.
- 4) Move the **FADE TIME** fader all the way up until N changes to Y.
- 5) Press the **MUSIC/ADD** button.
- 6) Release **MUSIC/ADD** button.
- 7) All **FIXTURES** LED indicators will flash to confirm successful setting.
- 8) Press and hold **BLACKOUT & STEP/DIS** buttons (1) times to exit mode.

### Notes ✖

*This will permanently turn on/off the fade time for a channel, until the user turns it back on/off.*

## Programming

A program (bank) is a sequence of different scenes (or steps) that will be called up one after another. In the Obey™ 10, 6 programs can be created with up to 999 steps each.

### Entering program mode

Press the **PROGRAM** button for 3 seconds until an LED dot next to the label **PROGRAM** blinks. This indicates that the user is in programming mode.

#### Action •

- 1) Press and hold the **PROGRAM** button for 3 seconds.
- 2) Select a **FIXTURE** to program.
- 3) Select a Chase to store the program to (1~6).
- 4) Compose a look by moving the **FADERS**. (Changes in fixture attribute such as colors and gobos.) Press **PAGE SELECT** to access Channels 9~16 on the faders.
- 5) To program another **FIXTURE** press the **FIXTURE** button you have just finished programming then select another **FIXTURE** button to program.
- 6) Repeat steps 2 ~ 4 until you have your look.
- 7) Tap **MUSIC/ADD** button to store.
- 8) All **FIXTURES** LEDs will flash, indicating a successful save of the step to the memory.
- 9) The display will automatically go on to the next step. Use the **Step Up** and **Step Down** buttons to navigate through the existing steps in the Chase.
- 10) Repeat steps 2 ~ 8 to record more scenes. ( Read Important notes on the right ->)
- 11) To exit program mode, hold the **PROGRAM** button for 3 seconds. The controller will default to a **BLACKOUT** when exiting the programmer.

#### Notes ¥

*Deselect **Blackout** if LED is lit.*

*A **FIXTURE** button represents one lighting fixture.*

*You can access channels 9~16 by pressing the **Page Select** button. This is necessary for fixtures that use more than 8 channels of control. When switching pages it will be necessary to move previously moved faders up then down to activate.*

*Pressing the same **FIXTURE** button again will hold the parameters changed for that fixture in the program scene.*

*There are 999 scenes available for every chase.*

### Delete a Step

#### Action •

- 1) Press the **PROGRAM** button for 3 seconds.
- 2) Press the Chase button (1~6) for the corresponding chase you wish to edit.
- 3) Locate the step in the program by using the **Step Up** and **Step Down** buttons.
- 4) Press the **Auto/Del** button to delete the current step.
- 5) All **FIXTURES** LEDs will flash, indicating a successful delete of the step from the memory
- 6) When you have finished deleting the steps, press & hold the Program button for 3 seconds to exit the Program mode.

#### Notes ¥

*Deselect **Blackout** if LED is lit.*

*The currently selected scene will be outputted to the light fixtures connected to the DMX output.*

### Delete Chase

#### Action •

- 1) Press the **PROGRAM** button for 3 seconds.
- 2) Press and hold the **AUTO/DEL** button while pressing the **Chase** you want to delete.
- 3) All LED's will flash, indicating that the Chase was successfully erased.

#### Notes ¥

*! This will erase all Steps in the Chase!!!*

## Adding a Step to a Chase

### Action •

- 1) Press and hold the **PROGRAM** button for 3 seconds to enter programming mode.
- 2) Press the desired **CHASE** (1~6) button.
- 3) Use the **Step Up/Step Down** buttons to scroll through the chase and arrive at the step number for which you would like to add a step to.
- 4) Select a **FIXTURE** button.
- 5) Adjust the **Faders** to the desired look on stage.
- 6) Press **Music/Add** button and one step number will be added after the previously displayed step number. All **FIXTURES** LED indicators will flash to confirm successful copy.
- 7) Repeat steps 3~6 until all scenes have been added to the chase.
- 8) Press and hold the **PROGRAM** button for 3 seconds to exit programming mode.

### Notes ✖

*The step will be added after the scene displayed on the digital readout.*

## Delete a Chase

### Action •

- 1) Press and hold the **PROGRAM** button for 3 seconds to enter programming mode.
- 2) Press the **CHASE** button (1~6) to be deleted.
- 3) Press and hold the **AUTO/DEL** button and the respective **CHASE** button then release to delete the chase. All LED's will blink 3 times. All **FIXTURES** LED indicators will flash to confirm successful copy.

### Notes ✖

*Steps will remain programmed on the controller. Only the chase is affected.*

# Playback

## Manual Run Chase

When power is first turned ON, the controller will be in manual scene mode.

### Action •

- 1) Make sure neither **MUSIC TRIGGER** nor **AUTO TRIGGER** LED's on the LED display are on.
- 2) Select the program **CHASE** button that stores the scene you want to run manually by using the **STEP UP/DOWN**.

### Notes ¥

*If you are in programming mode you can also press and hold the **PROGRAM** button until the **Program LED** goes off.*

## Running in Sound-Mode

### Action •

- 1) Press the **MUSIC/ADD** button until the **MUSIC TRIGGER** LED turns on.
- 2) Select the **CHASE** you wish to operate.
- 3) Press the **AUTO/DEL** button to exit the Chase.

### Notes ¥

*In the Sound mode, programs will be triggered by the sound using its built-in microphone. All scenes in a Bank will chase.*

## Running in Auto-Mode

### Action •

- 1) Press and hold the **AUTO/DEL** button until the **AUTO TRIGGER** LED turns on.
- 2) Select the **CHASE** you wish to operate.
- 3) You can set the time between steps by moving the **SPEED** fader and the fade time of the step by moving the **FADE TIME** fader.
- 4) You can change Banks while in operation by using the **STEP UP/DOWN** buttons.

### Notes ¥

*In the Auto mode, programs will be triggered by controllers fade and speed time as set on the faders. All scenes in a Bank will chase.*

**CAUTION!** *The fade setting should never be slower than the speed setting or the scene will never complete execution.*

## Running Sequential chases

### Action •

- 1) Press either **AUTO/DEL** or **MUSIC/ADD** buttons to select the trigger mode.
- 2) Press the **CHASE** button for each chase you wish to add to playback.
- 3) Adjust the Chase speed by changing the **SPEED** fader.

### Notes ¥

*Chases must already be programmed.*

*The chases will run in the order they are pressed*

*To delete a chase from the playback, press the **CHASE** button you wish to exclude from the playback.*

# 4. APPENDIX

## Technical Specifications

### WEIGHT & DIMENSIONS

Length ..... 19 in (482 mm)  
Width ..... 3.5 in (89 mm)  
Height ..... 3.5 in (89 mm)  
Weight ..... 3.9 lb (1.78 kg)

### POWER

Operating Range ..... DC 12V 500mA max  
Adapter ..... Provided

### THERMAL

Maximum ambient temperature ..... 113 °F (45 °C)

### CONTROL & PROGRAMMING

Data output ..... locking 3-pin XLR female socket  
Data pin configuration ..... pin 1 shield, pin 2 (-), pin 3 (+)  
Protocols ..... DMX-512 USITT

### ORDERING INFORMATION

Obey™ 10 Controller ..... OBEY10

### WARRANTY INFORMATION

Warranty ..... 2-year limited warranty



# RETURNS

In case you need to get support or return a product:

- If you are located in the U.S., contact Chauvet World Headquarters (see [Contact Us](#)).
- If you are located in the UK or Ireland, contact Chauvet Europe Ltd. (see [Contact Us](#)).
- If you are located in Mexico, contact Chauvet Mexico (see [Contact Us](#)).
- If you are located in Benelux, contact Chauvet Europe BVBA (see [Contact Us](#)).
- If you are located in any other country, DO NOT contact Chauvet. Instead, contact your local distributor. See [www.chauvetlighting.com](http://www.chauvetlighting.com) for distributors outside the U.S., UK, Ireland, Mexico, or Benelux.



**If you are located outside the U.S., UK, Ireland, Mexico, or Benelux, contact your distributor of record and follow their instructions on how to return Chauvet products to them. Visit our website [www.chauvetlighting.com](http://www.chauvetlighting.com) for contact details.**

Call the corresponding Chauvet Technical Support office and request a Return Merchandise Authorization (RMA) number before shipping the product. Be prepared to provide the model number, serial number, and a brief description of the cause for the return.

Send the merchandise prepaid, in its original box, and with its original packing and accessories. Chauvet will not issue call tags.

Clearly label the package with the RMA number. Chauvet will refuse any product returned without an RMA number.



**Write the RMA number on a properly affixed label. DO NOT write the RMA number directly on the box.**

Before sending the product, clearly write the following information on a piece of paper and place it inside the box:

1. Your name
2. Your address
3. Your phone number
4. RMA number
5. A brief description of the problem

Be sure to pack the product properly. Any shipping damage resulting from inadequate packaging will be your responsibility. FedEx packing or double-boxing are recommended.



**Chauvet reserves the right to use its own discretion to repair or replace returned product(s).**



# CONTACT Us

## WORLD HEADQUARTERS - Chauvet

### General Information

Address: 5200 NW 108<sup>th</sup> Avenue  
Sunrise, FL 33351  
Voice: (954) 577-4455  
Fax: (954) 929-5560  
Toll free: (800) 762-1084

### Technical Support

Voice: (954) 577-4455 (Press 4)  
Fax: (954) 756-8015  
Email: [tech@chauvetlighting.com](mailto:tech@chauvetlighting.com)

### World Wide Web

[www.chauvetlighting.com](http://www.chauvetlighting.com)

## UNITED KINGDOM AND IRELAND - Chauvet Europe Ltd.

### General Information

Address: Unit 1C  
Brookhill Road Industrial Estate  
Pinxton, Nottingham, UK  
NG16 6NT  
Voice: +44 (0)1773 511115  
Fax: +44 (0)1773 511110

### Technical Support

Email: [uktech@chauvetlighting.com](mailto:uktech@chauvetlighting.com)

### World Wide Web

[www.chauvetlighting.co.uk](http://www.chauvetlighting.co.uk)

## MEXICO - Chauvet Mexico

### General Information

Address: Av. Santa Ana 30  
Parque Industrial Lerma  
Lerma, Mexico C.P. 52000  
Voice: +52 (728) 285-5000

### Technical Support

Email: [servicio@chauvet.com.mx](mailto:servicio@chauvet.com.mx)

### World Wide Web

[www.chauvet.com.mx](http://www.chauvet.com.mx)

## CHAUVET EUROPE - Chauvet Europe BVBA

### General Information

Address: Stokstraat 18  
9770 Kruishoutem  
Belgium  
Voice: +32 9 388 93 97

### Technical Support

Email: [Eutech@chauvetlighting.eu](mailto:Eutech@chauvetlighting.eu)

### World Wide Web

[www.chauvetlighting.eu](http://www.chauvetlighting.eu)

Outside the U.S., United Kingdom, Ireland, Mexico, or Benelux, contact your dealer. Follow their instructions to request support or to return a product. Visit our website for contact details.

# 1. ANTES DE EMPEZAR

## Qué va incluido

Controlador Obey™ 10  
Adaptador de alimentación de 110 V o adaptador de alimentación de 230 V, CC 12 V 500 mA  
Manual de usuario  
Tarjeta de garantía

## Instrucciones de desembalaje

Inmediatamente después de recibir un dispositivo, desembale con cuidado la caja, compruebe el contenido para asegurarse de que están presentes todas las piezas y de que se han recibido en buen estado. Si cualquier elemento parece dañado a causa del transporte o la propia caja muestra signos de manipulación inadecuada, notifíquelo inmediatamente al expedidor y quédese con el material de embalaje para su inspección. Guarde la caja y todos los materiales de embalaje. En caso de que el dispositivo tenga que devolverse a la fábrica, es importante que la devolución del dispositivo se realice en la misma caja y embalaje originales de fábrica.

## Instrucciones de seguridad



**Por favor, lea estas instrucciones detenidamente, ya que incluyen información importante sobre la instalación, uso y mantenimiento de este**

- Guarde esta Guía de usuario para futuras consultas. Si vende esta unidad a otro usuario, asegúrese de que este recibe también este librito de instrucciones.
- Asegúrese siempre de que conecta el producto a la tensión adecuada, y de que la tensión de la línea a la que está conectándolo no es superior a la establecida en la impresión o en el panel posterior del aparato.
- ¡Este producto está destinado al uso en interiores solamente!
- Para evitar riesgos de incendio o descarga, no exponga el aparato a la lluvia o la humedad. Asegúrese de que no hay materiales inflamables cerca de la unidad cuando esté en funcionamiento.
- La unidad debe instalarse en una ubicación con ventilación adecuada, al menos a 50 cm de superficies adyacentes. Asegúrese de que no se han bloqueado las ranuras de ventilación.
- Desconecte siempre de la fuente de alimentación antes de repararlo o sustituir la lámpara o el fusible, y asegúrese de sustituir el fusible con una lámpara de la misma clase.
- En caso de un problema grave de funcionamiento, deje de usar la unidad inmediatamente. Nunca intente reparar el producto por usted mismo. Las reparaciones llevadas a cabo por personal no cualificado pueden provocar averías o funcionamiento defectuoso. Póngase en contacto con el centro de asistencia técnica autorizado más cercano. Utilice siempre el mismo tipo de piezas de repuesto.
- No conecte el dispositivo a un regulador de intensidad.
- Asegúrese de que el cable de alimentación no está retorcido ni estropeado.
- Nunca desconecte el cable de alimentación agarrando o tirando del cable.
- No ponga en marcha este dispositivo a más de 113 °F de temperatura ambiente.
- Para evitar un desgaste innecesario y alargar su vida útil, desconecte complemente el producto de la alimentación, mediante el interruptor o desenchufándolo, durante los periodos en los que no se use.

**¡Cuidado!**

***No hay piezas reparables por el usuario dentro de la unidad. No abra la carcasa ni intente ninguna reparación por sí mismo. En el caso improbable de que su unidad requiera reparación, póngase en contacto con Chauvet [www.chauvetlighting.com](http://www.chauvetlighting.com).***

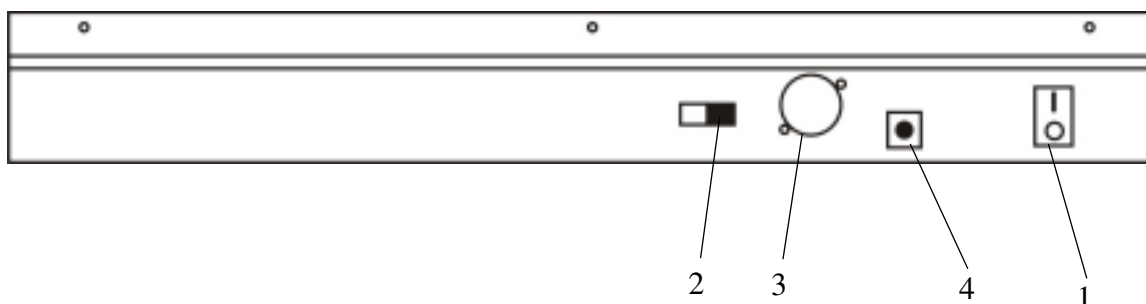
## 2. INTRODUCCION

El Obey™10 es un controlador de iluminación inteligente universal. Permite el control de 8 aparatos compuestos de 16 canales cada uno y hasta 6 secuencias programables. Seis bancos de secuencias pueden contener hasta 999 pasos. Los programas se pueden activar por música, automáticamente o manualmente. Las asignaciones de canal se pueden reprogramar para un fácil control de los diferentes dispositivos. En la superficie encontrará varias herramientas de programación tales como 8 deslizadores de canal universales, botones de acceso rápido de escáner y una pantalla LED para una navegación más sencilla por los controles y las funciones de menú.

### Características

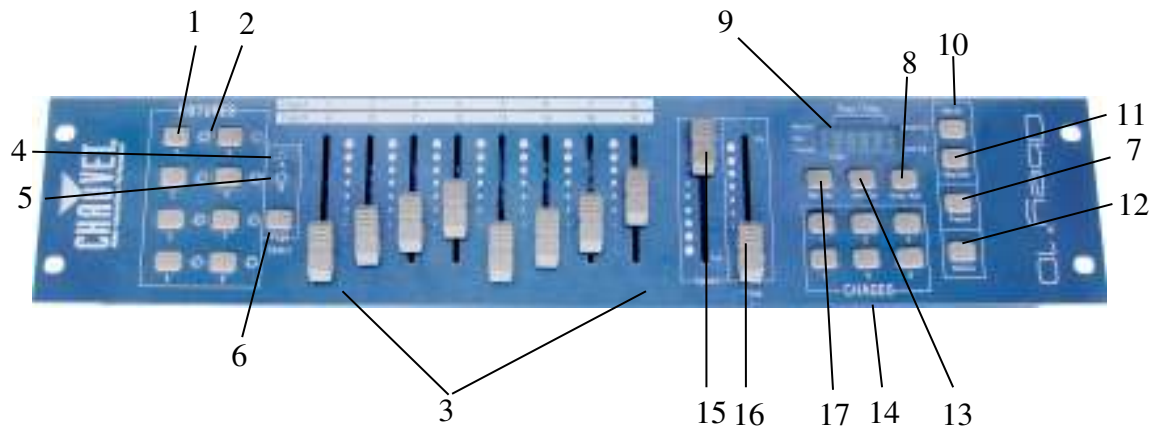
- Controlador universal DMX-512
- Controla hasta 8 luces inteligentes de hasta 16 canales cada una
- 128 canales de control DMX
- 6 juegos de secuencias que contienen 999 escenas cada una
- Deslizadores reversibles
- Canales reasignables
- Enlace secuencial de secuencias
- Enganche cualquier dispositivo al vuelo
- Activación por ritmo y ejecución automática
- Selector de polaridad DMX
- Montaje en rack de 2 espacios (2U)

### Vista general del producto (panel posterior)



Elemento	Botón o deslizador	Función
1	Interruptor On/Off	Se usa para apagar/encender mientras está enchufado en el adaptador de alimentación
2	Conmutador de polaridad DMX	Se puede usar para cambiar la polaridad de la señal
3	Conector de salida DMX	Señal de control DMX
4	Jack de entrada CC	Entrada principal de alimentación

## Vista general del producto (frente)



Elemento	Botón o deslizador	Función
1	Botones de selección de dispositivo	Selección de dispositivo
2	LED indicadores de dispositivo	Indica los aparatos actualmente seleccionados
3	Deslizadores de canal	Para ajustar los valores DMX, los C 1-8 se pueden ajustar inmediatamente después de pulsar el botón de selección del escáner correspondiente; los C 9-16, después de pulsar el botón de seleccionar página
4	Indicador LED de la página A	Representa el rango seleccionado de los C 1-8
5	Indicador LED de la página B	Representa el rango seleccionado de los C 9-16
6	Botón de seleccionar página	Pulsar para cambiar entre las páginas de control.
7	Botón de programa	Se utiliza para introducir el modo de programación
8	Botón Música/Añadir Copia	Se usa para activar el modo Música y como comando de confirmación durante la programación
9	Ventana de pantalla LED	La ventana de estado muestra los datos operativos oportunos
10	Botón de paso arriba	Botón de función para desplazarse por los pasos de una escena durante la programación y la reproducción
11	Botón de paso abajo	Botón de función para desplazarse por los pasos de una escena durante la programación y la reproducción
12	Botón de blackout	Reduce todos los valores DMX a cero.
13	Botón Auto/Borrar	Se usa para activar el modo Automático y como tecla de función de borrado durante la programación
14	Botones de secuencia	Memoria de secuencia 1 - 6
15	Deslizador de velocidad	Esto ajusta el tiempo que se mantiene una escena o paso dentro de una secuencia
16	Deslizador de tiempo de fade	Se considera también un cross-fade; ajusta el intervalo de tiempo entre dos escenas en una secuencia
17	Botón Paso/Pantalla	Se usa para cambiar los pasos y modificar la pantalla de 0-255 o 0-100%

## Términos comunes

Los siguientes son términos comunes que se usan en la programación de luz inteligente.

- § **Blackout** es un estado en el que todos los aparatos de iluminación quedan configurados a 0 o apagados, por lo general de forma temporal.
- § **DMX-512** es un protocolo de comunicación digital estándar industrial que se usa en los equipos de iluminación para el espectáculo. Para más información, lea las secciones "Manual DMX" y "Modo de control DMX" en el apéndice.
- § **Aparato** se refiere a su instrumento de iluminación u otro dispositivo, como una máquina de niebla o atenuador que usted pueda controlar.
- § **Programas** son un conjunto de escenas apiladas una detrás de la otra. Se puede programar como una sola escena o como varias escenas en secuencia.
- § **Escenas** son estados de iluminación estáticos.
- § **Deslizadores** conocidos también como *faders*.
- § Las **secuencias** se pueden llamar también programas. Una secuencia se compone de un conjunto de escenas apiladas una detrás de la otra.
- § Escáner hace referencia a un instrumento de iluminación con un espejo panorámico y de inclinación; sin embargo, los controladores DMX pueden utilizar este término para controlar cualquier dispositivo compatible con DMX como aparato genérico.
- § **MIDI** es un estándar para representar información musical en un formato digital. Una entrada MIDI proporciona la activación externa de escenas usando un dispositivo midi, como un teclado midi.
- § **Independiente** indica la capacidad de un aparato de funcionar de forma aislada de un controlador externo y normalmente sincronizado con la música gracias a un micrófono integrado.
- § El deslizador de **fade** se usa para ajustar el tiempo entre escenas dentro de una secuencia.
- § El deslizador de **velocidad** afecta a la cantidad de tiempo que una escena mantiene su estado. También se considera un tiempo de espera.
- § **Obturador** (o *shutter*) es un dispositivo mecánico en el aparato de iluminación que le permite bloquear la emisión de luz. Se usa para disminuir la intensidad de la emisión de luz y para luz estroboscópica.
- § **Interconexión** se refiere al proceso de asignar *faders* a un canal DMX dentro de un aparato.
- § **Reproducciones** pueden ser escenas o secuencias que el usuario ha seleccionado directamente para su ejecución. Una reproducción se pueden considerar también una memoria de programa que se puede recuperar durante un show

# 3. INSTRUCCIONES DE FUNCIONAMIENTO

## Instalación

### Instalación del sistema

- 1) Coloque el Obey™ 10 sobre una superficie plana.  
*¡Atención! El Obey™ 10 también puede montarse en rack, ocupando dos espacios de rack (2U).*
- 2) Conecte la fuente de alimentación de CA o CC al panel posterior del sistema y al enchufe eléctrico.
- 3) Conecte los cables DMX a su iluminación inteligente tal y como se indique en el manual del aparato correspondiente. Para una vista rápida de DMX, vea el apartado "Manual DMX".
- 4) Reinicie el sistema siguiendo las instrucciones de la página 9

### Asignación de dirección al aparato

El Obey™ 10 está programado para controlar 16 canales de DMX por aparato. Por tanto, los aparatos que desee controlar con los botones "APARATO" que correspondan en la unidad deben estar separados 16 canales (compruebe el manual del aparato correspondiente para ver cómo introducir la información en el aparato).

**Nota:** si no realiza estas asignaciones DMX, puede que pierda el control de los aparatos.

N.º DE APARATO O ESCÁNER	DIRECCIÓN DMX DE INICIO PREDETERMINADA	CONFIGURACIÓN DE LOS CONMUTADORES DIP CONMUTAR A LA POSICIÓN "ON"
1	1	1
2	17	1,5
3	33	1,6
4	49	1,5~6
5	65	1,7
6	81	1,5~7
7	97	1,6~7
8	113	1,5~6,7

## Asignación del *fader* físico (CONFIGURACIÓN OPCIONAL)

Use esta característica para combinar o unir atributos de control del dispositivo para distintos dispositivos. Por ejemplo: si está controlando 4 espejos móviles y 4 yugos móviles, los canales de color, gobo y atenuador pueden no alinearse exactamente con los *faders* físicos. Utilice esta función para reasignar los canales del atenuador, color y gobo a los *faders* 1, 2 y 3. De aquí en adelante, podrá controlar los mismos atributos en todos los aparatos usando la misma posición de *fader*.

### Acción •

- 1) Pulse y mantenga pulsados los botones **PROGRAMA** y **PASO/PANTALLA** juntos (1) vez para acceder al modo de asignación de canal.
- 2) Pulse un botón de **APARATO** que represente el aparato cuyos *faders* desee reasignar.
- 3) Mueva el *fader* de **VELOCIDAD** hasta que llegue al canal (número) del controlador.
- 4) Mueva el *fader* de **TIEMPO DE FADE** para seleccionar el canal DMX al que lo quiera mover.
- 5) Pulse el botón **MÚSICA/AÑADIR** para confirmar la configuración. Todos los indicadores LED de **APARATOS** parpadearán para confirmar que se ha copiado correctamente.
- 6) Repita los pasos 3 a 5 las veces necesarias.

Si desea copiar las asignaciones físicas de un escáner a otro escáner, continúe siguiendo los pasos 7-13. Si no desea hacerlo, pulse los botones **PROGRAMA** y **PASO/PANTALLA** dos veces para salir del modo.

### Ejemplo: Copiar Escáner 1 en Escáner 2

- 1) Pulse y mantenga pulsado el botón de **APARATO** n.º 1.
- 2) Mientras mantiene pulsado el botón n.º 1, pulse el botón de **APARATO** n.º 2.
- 3) Mientras mantiene pulsados los botones de **APARATO** n.º 1 y n.º 2, pulse y mantenga pulsado el botón **MÚSICA/AÑADIR**.
- 4) Suelte el botón de **ESCÁNER** n.º 1 antes de soltar el botón de **ESCÁNER** n.º 2.
- 5) Suelte el botón **MÚSICA/AÑADIR**.
- 6) Todos los indicadores LED de **APARATOS** parpadearán para confirmar que se ha copiado correctamente.
- 7) Pulse y mantenga pulsados los botones **PROGRAMA** y **PASO/PANTALLA** (2) veces para salir del modo.

### Notas ✖

*Todos los faders físicos se pueden reasignar para que salga por un canal DMX distinto. A los faders se les da un número de canal y se etiquetan en la superficie del controlador de por sí.*

## Salida de canal inversa (CONFIGURACIÓN OPCIONAL)

### Acción •

- 1) Pulse y mantenga pulsados los botones **PROGRAMA** y **PASO/PANTALLA** juntos (2) veces para acceder al modo de asignación de canal y luego pulse el botón **APARATO**.
- 2) Seleccione el **APARATO**.
- 3) Mueva el *fader* de **VELOCIDAD** hasta que llegue al canal del controlador que desee alterar.
- 4) Mueva el *fader* **TIEMPO DE FADE** hasta arriba hasta que N cambie a Y.

Si desea copiar las asignaciones de canal inversas de un escáner a otro escáner, continúe siguiendo los pasos 5-11. Si no desea hacerlo, pulse y mantenga pulsados los botones **PROGRAMA** y **SINCRO AL TOQUE** (1) vez para salir del modo.

### Ejemplo: Copiar Escáner 1 en Escáner 2

- 1) Pulse y mantenga pulsado el botón de **APARATO** n.º 1.
- 2) Mientras mantiene pulsado el botón n.º 1, pulse el botón de **APARATO** n.º 2.
- 3) Mientras mantiene pulsados los botones de **APARATO** n.º 1 y n.º 2, pulse y mantenga pulsado el botón **MÚSICA/AÑADIR**.
- 4) Suelte el botón de **APARATO** n.º 1 antes de soltar el botón de **APARATO** n.º 2.
- 5) Suelte el botón **MÚSICA/AÑADIR**.
- 6) Todos los indicadores LED de **APARATOS** parpadearán para confirmar que se ha copiado correctamente.
- 7) Pulse y mantenga pulsados los botones **PROGRAMA** y **PASO/PANTALLA** (1) veces para salir del modo.

### Notas ✖

*Puede invertir permanentemente la salida de cualquier canal del controlador.*

## Reiniciar a la configuración de fábrica

### Acción •

- 1) Pulse simultáneamente los botones **PASO ARRIBA** y **AUTO/BORRAR**.
- 2) Todos los LED parpadearán, indicando que el controlador se ha reiniciado correctamente.

### Notas ✖

*¡Esto borrará todas las secuencias guardadas!*

*Esto funcionará en cualquier modo: Programa o Reproducción.*

## Blackout

El botón Blackout pone la emisión de todas la luces a 0 o las apaga (también se denomina posición de inicio de la unidad).



## Asignación de fade (CONFIGURACIÓN OPCIONAL)

Utilice esta función para apagar o encender el *fader* de un determinado canal. Esto es más útil cuando quiera que el tiempo de fade afecte al movimiento panorámico/inclinación de un aparato para movimientos más suaves, pero no lo utilice por ejemplo para el obturador o el gobo, ya que estos deben cambiar muy rápido casi siempre.

### Acción •

- 1) Pulse y mantenga pulsados los botones **BLACKOUT** y **PASO/PANTALLA** juntos (2) veces para acceder al modo de asignación de canal y luego pulse el botón **APARATO**.
- 2) Seleccione el **APARATO**.
- 3) Mueva el *fader* de **VELOCIDAD** hasta que llegue al canal del controlador que desee alterar.
- 4) Mueva el *fader* **TIEMPO DE FADE** hasta arriba hasta que N cambie a Y.
- 5) Pulse el botón **MÚSICA/AÑADIR**.
- 6) Suelte el botón **MÚSICA/AÑADIR**.
- 7) Todos los indicadores LED de **APARATOS** parpadearán para confirmar una configuración correcta.
- 8) Pulse y mantenga pulsados los botones **BLACKOUT** y **PASO/PANTALLA** (1) vez para salir del modo.

### Notas ✖

*Esto apagará/encenderá permanentemente el tiempo de fade para un canal, hasta que el usuario lo vuelva a encender/apagar.*

## Programación

Un programa (banco) es una secuencia de diferentes escenas (o pasos) que se pueden recuperar uno de tras de otro. En el Obey™ 10, se pueden crear 6 programas con hasta 999 pasos cada uno.

### Entrar en el modo programa

Pulse el botón **PROGRAMA** durante 3 segundos hasta que parpadee el punto LED junto a la etiqueta **PROGRAMA**. Esto indica que el usuario está en modo de programación.

#### Acción •

- 1) Pulse y mantenga pulsado el botón **PROGRAMA** durante tres segundos.
- 2) Seleccione un **APARATO** que programar.
- 3) Seleccione una secuencia para almacenar el programa (1~6).
- 4) Componga un diseño moviendo los **FADERS**. (Cambia en el aparato características como colores y gobos.) Pulse **SELECCIONAR PÁGINA** para acceder a los canales 9~16 en los *faders*.
- 5) Para programar otro **APARATO**, pulse el botón **APARATO** que acaba de terminar de programar y luego seleccione otro botón **APARATO** para programarlo.
- 6) Repita los pasos 2 a 4 hasta que tenga su diseño.
- 7) Toque el botón **MÚSICA/AÑADIR** para almacenarlo.
- 8) Todos los LED de los **APARATOS** parpadearán, indicando que se ha guardado correctamente el paso en la memoria.
- 9) La pantalla pasará automáticamente al siguiente paso. Utilice los botones **Paso arriba** y **Paso abajo** para navegar por los pasos existentes de la secuencia.
- 10) Repita los pasos 2 a 8 para grabar más escenas. (Lea las notas importantes a la derecha ->)
- 11) Para salir del modo de programa, mantenga pulsado el botón **PROGRAMA** durante tres segundos. El controlador irá de manera predeterminada a **BLACKOUT** cuando salga del programador.

#### Notas ✖

Deseleccione **Blackout** si el LED está encendido.

Un botón de **APARATO** representa un aparato de iluminación.

Puede acceder a los canales 9-16 pulsando el botón **Seleccionar página**. Esto es necesario para aparatos que usan más de 8 canales de control. Cuando cambie de página será necesario mover los faders movidos anteriormente arriba y luego abajo para activar.

Pulsando el mismo botón de **APARATO** de nuevo se mantendrán los parámetros cambiados para ese dispositivo en la escena de programa.

Existen 999 escenas disponibles para cada secuencia.

### Borrar un paso

#### Acción •

- 1) Pulse el botón **PROGRAMA** durante 3 segundos.
- 2) Pulse el botón de secuencia (1~6) para la secuencia que corresponda a la que desea editar.
- 3) Localice el paso en el programa usando los botones **Paso arriba** y **Paso abajo**.
- 4) Pulse **Auto/Borrar** para borrar el paso actual.
- 5) Todos los LED de los **APARATOS** parpadearán, indicando que se ha borrado correctamente el paso de la memoria.
- 6) Cuando haya terminado de borrar pasos, pulse y mantenga pulsado el botón de Programa durante 3 segundos para salir del modo Programa.

#### Notas ✖

Deseleccione **Blackout** si el LED está encendido.

La escena actualmente seleccionada se emitirá por los aparatos de luz conectados a la salida DMX.

## Borrar secuencia

### Acción •

- 1) Pulse el botón **PROGRAMA** durante 3 segundos.
- 2) Pulse y mantenga pulsado el botón **AUTO/BORRAR** mientras pulsa la **Secuencia** que desea borrar.
- 3) Todos los LED parpadearán indicando que la secuencia se borró correctamente.

### Notas ✖

*!!!Esto borrará todos los pasos de la secuencia!!!*

## Añadir un paso a una secuencia

### Acción •

- 1) Pulse y mantenga pulsado el botón **PROGRAMA** durante 3 segundos para entrar en el modo de programación.
- 2) Pulse el botón de **SECUENCIA** (1~6) que desee.
- 3) Utilice los botones **Paso arriba/Paso abajo** para desplazarse por la secuencia y llegue hasta el número de paso al que desee añadir un paso.
- 4) Seleccione un botón de **APARATO**.
- 5) Ajuste los **faders** para el diseño que desee tener en el escenario.
- 6) Pulse el botón **Música/Añadir** y se añadirá un número de paso después del número de paso que aparece en la pantalla. Todos los indicadores LED de **APARATOS** parpadearán para confirmar que se ha copiado correctamente.
- 7) Repita los pasos 3 al 6 hasta que se hayan añadido todas las escenas a la secuencia.
- 8) Pulse y mantenga pulsado el botón **PROGRAMA** durante 3 segundos para salir del modo de programación.

### Notas ✖

*El paso se añadirá después de la escena que aparece en la pantalla digital.*

## Borrar una secuencia

### Acción •

- 1) Pulse y mantenga pulsado el botón **PROGRAMA** durante 3 segundos para entrar en el modo de programación.
- 2) Pulse el botón de la **SECUENCIA** (1~6) que desee borrar.
- 3) Pulse y mantenga pulsado el botón **AUTO/BORRAR** y el botón de **SECUENCIA** que corresponda y luego suelte para borrar la secuencia. Todos los LED parpadearán 3 veces. Todos los indicadores LED de **APARATOS** parpadearán para confirmar que se ha copiado correctamente.

### Notas ✖

*Los pasos se quedarán programados en el controlador. Solo afecta a la secuencia.*

## Reproducción

### Secuencia de ejecución manual

Cuando se ENCIENDE por primera vez la alimentación, el controlador estará en modo de escena manual.

#### Acción •

- 1) Asegúrese de que ni el LED de **ACTIVADOR DE MÚSICA** ni el de **ACTIVADOR AUTOMÁTICO** de la pantalla LED están encendidos.
- 2) Seleccione el botón de **SECUENCIA** que almacena la escena que desea ejecutar manualmente utilizando **PASO ARRIBA/ABAJO**.

#### Notas ¥

*Si está en modo de programación, también puede pulsar y mantener pulsado el botón **PROGRAMA** hasta que el LED de **Programa** se apague.*

### Ejecutar en modo Sonido

#### Acción •

- 1) Pulse el botón **MÚSICA/AÑADIR** hasta que se encienda el LED **ACTIVADOR DE MÚSICA**.
- 2) Seleccione la **SECUENCIA** que desea manejar.
- 3) Pulse **AUTO/BORRAR** para salir de la secuencia.

#### Notas ¥

*En el modo Sonido, los programas se activarán por el sonido utilizando el micrófono integrado. Pasarán en secuencia todas las escenas de un banco.*

### Ejecutar en modo Automático

#### Acción •

- 1) Pulse el botón **AUTO/BORRAR** hasta que se encienda el LED **ACTIVADOR AUTOMÁTICO**.
- 2) Seleccione la **SECUENCIA** que desea manejar.
- 3) Puede configurar el tiempo entre pasos moviendo el *fader* **VELOCIDAD** y el tiempo de fade del paso moviendo el *fader* **TIEMPO DE FADE**.
- 4) Puede cambiar los bancos mientras los maneja utilizando los botones **PASO ARRIBA/ABAJO**.

#### Notas ¥

*En el modo Automático, los programas se lanzarán por el fade del controlador y el tiempo de velocidad según esté configurado en los faders. Pasarán en secuencia todas las escenas de un banco.*

*¡CUIDADO! La configuración de fade nunca debe ser más lenta que la velocidad configurada o la escena nunca terminará su ejecución.*

### Ejecutar secuencias en orden secuencial

#### Acción •

- 1) Pulse los botones **AUTO/BORRAR** o **MÚSICA/AÑADIR** para seleccionar el modo de activador.
- 2) Pulse el botón **SECUENCIA** para cada secuencia que desee añadir a la reproducción.
- 3) Ajuste la velocidad de la secuencia cambiando el *fader* de **VELOCIDAD**.

#### Notas ¥

*Las secuencias ya tienen que estar programadas.*

*Las secuencias se ejecutarán en el orden en que se pulsen*

*Para borrar una secuencia de la reproducción, pulse el botón de **SECUENCIA** que desee excluir de la reproducción.*

# 4. APENDICE

## Especificaciones técnicas

### PESO Y DIMENSIONES

Longitud ..... 19 in (482 mm)  
Anchura ..... 3,5 in (89 mm)  
Altura ..... 3,5 in (89 mm)  
Peso ..... 3,9 lb (1,78 kg)

### ALIMENTACIÓN

Rango operativo ..... CC 12 V 500 mA máx.  
Adaptador ..... Suministrado

### TÉRMICAS

Temperatura ambiente máxima ..... 113 °F (45 °C)

### CONTROL Y PROGRAMACIÓN

Salida datos ..... conector hembra XLR de 3 pines con cierre  
Configuración pin datos ..... pin 1 pantalla, pin 2 (-), pin 3 (+)  
Protocolos ..... DMX-512 USITT

### INFORMACIÓN DE PEDIDOS

Controlador Obey™ 10 ..... OBEY10

### INFORMACIÓN DE GARANTÍA

Garantía ..... Garantía limitada de 2 años



# DEVOLUCIONES

En caso de que necesite asistencia o devolver un producto:

- Si se encuentra en EE. UU., póngase en contacto con la Oficina Central de Chauvet (vea [Contacto](#)).
- Si se encuentra en el Reino Unido o Irlanda, póngase en contacto con Chauvet Europe Ltd. (vea [Contacto](#)).
- Si se encuentra en México, póngase en contacto con Chauvet Mexico (vea [Contacto](#)).
- Si se encuentra en Benelux, póngase en contacto con Chauvet Europe BVBA (vea [Contacto](#)).
- Si se encuentra en cualquier otro país, NO contacte con Chauvet. Contacte con su distribuidor local. Vea [www.chauvetlighting.com](http://www.chauvetlighting.com) para distribuidores fuera de EE.UU., Reino Unido, Irlanda, México o Benelux.



**Si se encuentra fuera de los EE.UU., Reino Unido, Irlanda, México o Benelux, póngase en contacto con su distribuidor de registro y siga sus instrucciones sobre cómo devolverle a ellos los productos Chauvet. Visite [www.chauvetlighting.com](http://www.chauvetlighting.com) para detalles de contacto.**

Llame a la oficina de Asistencia Técnica Chauvet correspondiente y pida un número de Autorización de Devolución de la mercancía (RMA) antes de enviar el producto. Esté preparado para proporcionar el número de modelo, número de serie y una breve descripción de la causa de la devolución.

Envíe la mercancía a portes pagados, en su caja original y con su embalaje y accesorios originales. Chauvet no expedirá etiquetas de devolución.

**Etiquete el paquete claramente con el número de RMA. Chauvet rechazará cualquier producto devuelto sin un número de RMA.**



**Escriba el número de RMA en una etiqueta convenientemente adherida. NO escriba el número de RMA directamente sobre la caja.**

Antes de enviar el producto, escriba claramente la siguiente información en una hoja de papel y colóquela dentro de la caja:

1. Su nombre
2. Su dirección
3. Su número de teléfono
4. Número de RMA
5. Una breve descripción del problema

Asegúrese de que empaqueta el producto adecuadamente. Cualquier daño en el transporte que resulte de un empaquetado inadecuado será responsabilidad suya. Se recomienda empaquetado FedEx o de doble caja.



**Chauvet se reserva el derecho de usar su propio criterio para reparar o reemplazar productos devueltos.**

---

# CONTACTO

## OFICINA CENTRAL - Chauvet

### Información General

Dirección: 5200 NW 108<sup>th</sup> Avenue  
Sunrise, FL 33351  
Voz: (954) 577-4455  
Fax: (954) 929-5560  
Número Gratuito: (800) 762-1084

### Servicio Técnico

Voz: (954) 577-4455 (Marque 4)  
Fax: (954) 756-8015  
Email: [tech@chauvetlighting.com](mailto:tech@chauvetlighting.com)

World Wide Web [www.chauvetlighting.com](http://www.chauvetlighting.com)

## REINO UNIDO E IRLANDA - Chauvet Europe Ltd.

### Información General

Dirección: Unit 1C  
Brookhill Road Industrial Estate  
Pinxton, Nottingham, UK  
NG16 6NT  
Voz: +44 (0)1773 511115  
Fax: +44 (0)1773 511110

### Servicio Técnico

Email: [uktech@chauvetlighting.com](mailto:uktech@chauvetlighting.com)

World Wide Web [www.chauvetlighting.com](http://www.chauvetlighting.com)

## MÉXICO - Chauvet Mexico

### Información General

Dirección: Av. Santa Ana 30  
Parque Industrial Lerma  
Lerma, Mexico C.P. 52000  
Voz: +52 (728) 285-5000

### Servicio Técnico

Email: [servicio@chauvet.com.mx](mailto:servicio@chauvet.com.mx)

World Wide Web [www.chauvet.com.mx](http://www.chauvet.com.mx)

## CHAUVET EUROPE - Chauvet Europe BVBA

### Información General

Dirección: Stokstraat 18  
9770 Kruishoutem  
Belgium  
Voz: +32 9 388 93 97

### Servicio Técnico

Email: [Eutech@chauvetlighting.eu](mailto:Eutech@chauvetlighting.eu)

World Wide Web [www.chauvetlighting.eu](http://www.chauvetlighting.eu)

Fuera de EE.UU., Reino Unido, Irlanda, México o Benelux, póngase en contacto con su proveedor. Siga sus instrucciones para pedir soporte o para devolver un producto. Visite [www.chauvetlighting.com](http://www.chauvetlighting.com) para detalles de contacto.

---

# 1. AVANT DE COMMENCER

## Contenu de l'emballage

Contrôleur Obey™ 10  
Adaptateur secteur CC 12 V, 500 mA, 230 V  
Mode d'emploi avec carte de garantie

## Instructions de déballage

Dès la réception, ouvrez délicatement le carton et vérifiez son contenu pour vous assurer que tous les éléments sont bien présents et en bon état. Si un quelconque élément semble avoir été endommagé durant le transport ou si le carton lui-même montre des signes de mauvais traitements, signalez-le immédiatement au transporteur et conservez les emballages pour inspection. Conservez le carton et tous les éléments d'emballage. Dans le cas où un appareil devrait être renvoyé, il est important qu'il le soit dans le carton et les emballages d'origine.

## Instructions de sécurité



**Veillez lire attentivement ces instructions, elles comprennent des informations importantes sur l'installation, l'emploi et la maintenance de votre appareil.**

- Veuillez conserver ce mode d'emploi pour consultation future. Si vous vendez l'appareil à un autre utilisateur, veillez bien à lui transmettre aussi ce livret d'instructions.
- Assurez-vous toujours que vous utilisez la tension correcte, et que la tension de la ligne à laquelle vous vous connectez n'est pas supérieure à ce qui est indiqué sur l'étiquette ou à l'arrière de l'appareil.
- Ce produit n'est destiné qu'à une utilisation en intérieur !
- Pour prévenir le risque d'incendie et d'électrocution, n'exposez pas l'appareil à la pluie ni à l'humidité. Veillez à ce qu'il n'y ait aucun matériau inflammable proche de l'appareil pendant son fonctionnement.
- L'appareil doit être installé dans un lieu ventilé de façon adéquate, à au moins 50 cm des surfaces adjacentes. Veillez à ce qu'aucune ouverture de ventilation ne soit bloquée.
- Débranchez toujours la source d'alimentation électrique avant une réparation ou un remplacement de lampe et veillez à remplacer cette dernière par un modèle identique.
- En cas de sérieux problème de fonctionnement, cessez immédiatement d'employer l'appareil. N'essayez jamais de réparer vous-même l'appareil. Les réparations effectuées par des personnes non qualifiées peuvent entraîner des dommages ou mauvais fonctionnements. Veuillez contacter le service après-vente agréé le plus proche. Utilisez toujours des pièces détachées de même type.
- Ne branchez pas l'appareil à un gradateur.
- Veillez à ce que le cordon d'alimentation ne soit jamais pincé ni endommagé.
- Ne débranchez jamais le cordon d'alimentation en tirant dessus.
- Ne faites pas fonctionner cet appareil à température ambiante de plus de 45°C.
- Durant les périodes de non-utilisation, pour éviter toute usure inutile et pour prolonger la durée de vie, déconnectez-entièrement l'appareil en le débranchant de l'alimentation électrique ou en coupant le disjoncteur.

### **Attention !**

***Aucune pièce de cette unité n'est réparable par l'utilisateur. N'ouvrez pas le boîtier et ne tentez aucune réparation vous-même. Dans le cas peu probable où votre unité nécessiterait une réparation, veuillez contacter votre distributeur Chauvet [www.chauvetlighting.com](http://www.chauvetlighting.com).***



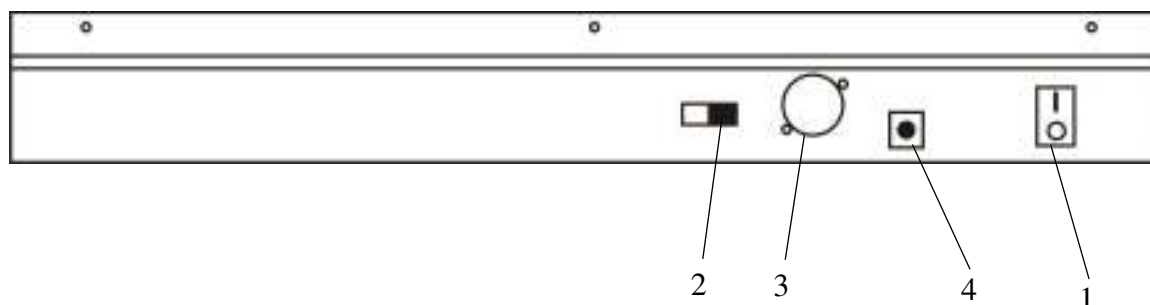
## 2. INTRODUCTION

L'Obey™ 10 est un contrôleur de jeux de lumière universel intelligent. Il permet le contrôle de 8 appareils composés chacun de 16 canaux et de jusqu'à 6 séquences ("chases") programmables. Les six banques de séquences ("chases") peuvent contenir jusqu'à 999 pas. Les programmes peuvent être déclenchés par la musique, automatiquement ou manuellement. Les assignations de canaux peuvent être reprogrammées pour faciliter le contrôle d'appareils différents. Sur la surface de contrôle, vous trouverez divers outils de programmation comme 8 curseurs de canal universels, des boutons d'accès direct aux appareils d'éclairage, et un écran à LED facilitant la navigation dans les fonctions de commande et de menu.

### Caractéristiques

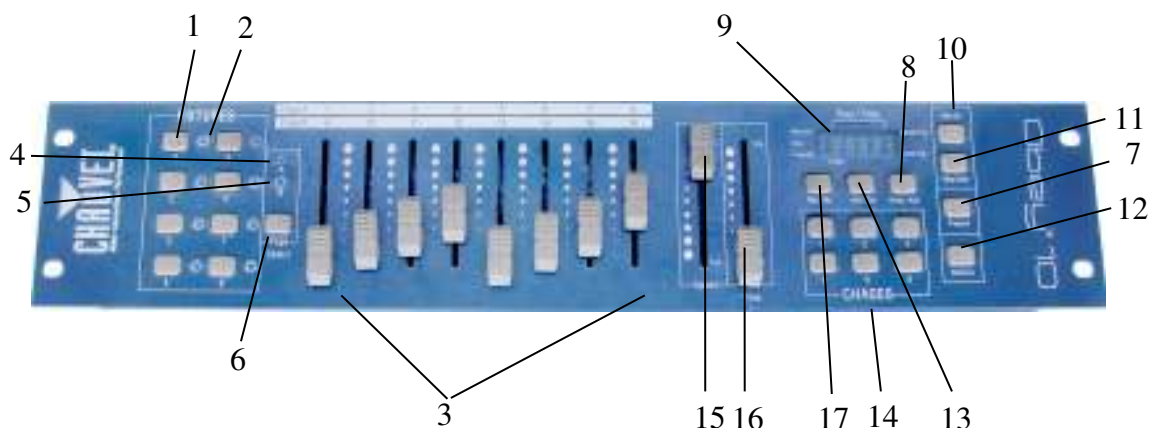
- Contrôleur DMX 512 universel
- Contrôle jusqu'à 8 jeux de lumière intelligents pouvant avoir 16 canaux chacun
- 128 canaux DMX de contrôle
- 6 jeux de séquences (chases) contenant chacun 999 scènes
- Fondu et vitesse programmables pour chaque pas
- Curseurs réversibles
- Canaux réassignables
- Liaison séquentielle des chases (séquences)
- Contrôle de n'importe quel appareil à la volée
- Activation par le son (rythme) et défilement automatique
- Sélecteur de polarité DMX
- Montage en rack 2U

### Vue d'ensemble du produit (face arrière)



Élément	Bouton ou fader	Fonction
1	Interrupteur d'alimentation	Allume/éteint l'appareil quand il est branché à l'adaptateur secteur
2	Sélecteur de polarité DMX	Sert à changer la polarité du signal
3	Connecteur de sortie DMX	Produit le signal de commande DMX
4	Prise d'entrée CC	Reçoit l'adaptateur secteur

## Vue d'ensemble du produit (avant)



Élément	Bouton ou fader	Fonction
1	Boutons de sélection d'appareil	Sélection d'appareil
2	LED témoins d'appareil	Indiquent les appareils actuellement sélectionnés
3	Faders de canal	Pour régler les valeurs DMX. Les canaux 1-8 peuvent être réglés immédiatement après avoir pressé le bouton de sélection de l'appareil visé, les canaux 9-16 après avoir pressé le bouton de sélection de page (Page Select)
4	LED témoin de Page A	Signale que c'est la plage de canaux 1-8 qui est sélectionnée
5	LED témoin de Page B	Signale que c'est la plage de canaux 9-16 qui est sélectionnée
6	Bouton de sélection de page	Pressez-le pour alterner entre les deux pages de commandes.
7	Bouton Program	Sert à passer en mode de programmation
8	Bouton Music/Add	Sert à activer le mode musical et de commande de copie durant la programmation
9	Écran à LED	Affiche les données de fonctionnement pertinentes
10	Bouton Step Up	Bouton de fonction pour faire défiler par ordre croissant les pas d'une scène durant la programmation et la lecture
11	Bouton Step Down	Bouton de fonction pour faire défiler par ordre décroissant les pas d'une scène durant la programmation et la lecture
12	Bouton Blackout	Ramène toutes les valeurs DMX à zéro.
13	Bouton Auto/Del	Sert à activer le mode automatique (Auto) et de touche de suppression durant la programmation
14	Boutons CHASES	Mémoires 1 ~ 6 de séquence (chase)
15	Fader Speed	Règle le temps de maintien d'une scène ou d'un pas dans une séquence (chase)
16	Fader Fade Time	Considéré aussi comme cross-fade (fondu-enchaîné), règle l'intervalle entre deux scènes d'une séquence (chase)
17	Bouton Step/Dis	Sert à changer les pas et à faire alterner le mode d'affichage numérique entre 0-255 et 0-100%

---

## Termes usuels

Vous trouverez ci-dessous des termes usuels employés en programmation de jeux de lumière.

- § Le **Blackout** (noir complet) est l'état dans lequel toutes les lumières sont à 0 ou coupées, généralement de façon temporaire.
- § Le **DMX-512** est un protocole de communication numérique qui est la norme du secteur de l'éclairage de spectacle. Pour plus d'informations, lisez les sections "Les bases du DMX" et "Mode de commande DMX" dans l'Appendice.
- § Un **appareil** se réfère à votre projecteur, effet lumineux ou autre dispositif, tel que machine à brouillard ou gradateur, que vous pouvez contrôler.
- § Les **programmes** sont composés d'un certain nombre de scènes organisées les unes après les autres. Un programme peut avoir une seule scène ou plusieurs enchaînées en séquence.
- § Les **scènes** sont des états statiques des jeux de lumière.
- § Les **courseurs** sont aussi appelés faders.
- § Les séquences ou **Chases** peuvent aussi être appelées programmes. Une séquence est composée d'un certain nombre de scènes organisées les unes après les autres.
- § Un **scanner** est un instrument d'éclairage avec miroir à mouvements pan (rotation) et tilt (inclinaison) ; toutefois, les contrôleurs DMX peuvent utiliser ce terme pour contrôler n'importe quel appareil compatible DMX-512 comme un appareil générique.
- § Le **MIDI** est une norme de communication d'informations musicales en format numérique. Une entrée MIDI permet le déclenchement externe de scènes à l'aide d'instruments MIDI tels qu'un clavier MIDI.
- § **Autonome** est le qualificatif donné à un appareil pouvant fonctionner indépendamment d'un contrôleur externe et généralement en synchronisation avec la musique, grâce à un microphone intégré.
- § Le curseur **Fade** (fondu) sert à régler le temps de fondu entre les scènes dans une séquence (chase).
- § Le curseur **Speed** (vitesse) agit sur le temps de maintien d'une scène. Il est aussi considéré comme un temps d'attente.
- § Le **Shutter** (obturateur) est un dispositif mécanique de l'appareil d'éclairage qui vous permet de bloquer le passage de la lumière. Il sert souvent à réduire l'intensité de la lumière et à produire un effet stroboscope.
- § "**Patcher**", c'est associer les faders à un canal DMX de l'appareil.
- § Les lectures ou **playbacks** peuvent être des scènes ou séquences (chases) dont l'exécution est directement déclenchée par l'utilisateur. Cela peut aussi être une mémoire de programme rappelée durant un spectacle.

---

# 3. INSTRUCTIONS D'EMPLOI

## Installation

### Installation du système

- 1) Placez l'Obey™ 10 sur une surface plane.  
*Note ! L'Obey™ 10 se monte aussi en rack, occupant alors deux unités d'espace (2U).*
- 2) Branchez l'adaptateur CA/CC en face arrière du système et à une prise secteur.
- 3) Branchez votre ou vos câbles DMX à vos appareils comme décrit dans leurs modes d'emploi respectifs. Pour une présentation rapide du DMX, voir la section "Les bases du DMX".
- 4) Réinitialisez le système à l'aide des instructions de la page 9.

### Adressage de l'appareil

L'Obey™ 10 est programmé pour contrôler 16 canaux DMX par appareil. Par conséquent, les adresses des appareils que vous désirez contrôler avec les boutons "FIXTURES" correspondants sur l'unité doivent être espacées de 16 canaux (consultez le mode d'emploi de chaque appareil pour savoir comment régler cette adresse dans l'appareil).

**Note :** ne pas utiliser ces assignations DMX peut entraîner une perte de contrôle des appareils.

N° D'APPAREIL OU DE SCANNER	ADRESSE DMX DE DEPART PAR DEFAUT	MINI-COMMUTATEURS DIP BINAIRES REGLES EN POSITION "ON"
1	1	1
2	17	1,5
3	33	1,6
4	49	1,5,6
5	65	1,7
6	81	1,5,7
7	97	1,6,7
8	113	1,5,6,7

---

## Attribution de fader physique (CONFIGURATION OPTIONNELLE)

Utilisez cette fonction afin de réunir ou uniformiser des attributs de commande d'appareil pour différents appareils. Par exemple : si vous contrôlez 4 miroirs motorisés et 4 lyres motorisées, les canaux de couleur, gobo et gradateur peuvent ne pas s'aligner idéalement sur les faders physiques. Utilisez cette fonction pour réassigner les canaux de gradateur, couleur et gobo aux faders 1, 2 et 3. Dès lors, vous pourrez contrôler les mêmes attributs sur tous les appareils à l'aide des mêmes faders.

### Action •

- 1) Pressez et maintenez ensemble les boutons **Program** et **Step/Dis** (1) fois pour accéder au mode d'attribution des canaux.
- 2) Pressez le bouton **FIXTURES** correspondant à l'appareil dont vous désirez réassigner les faders.
- 3) Déplacez le fader **Speed** jusqu'à ce que vous arriviez au canal (numéro) de contrôleur.
- 4) Bougez le fader **Fade Time** pour sélectionner le canal DMX auquel vous désirez accéder.
- 5) Pressez le bouton **Music/Add** pour confirmer le réglage. Toutes les LED témoins **FIXTURES** clignoteront pour confirmer la réussite de l'attribution.
- 6) Répétez les étapes 3 ~ 5 aussi souvent que nécessaire.

Si vous désirez copier les attributions physiques d'un scanner dans un autre scanner, continuez en suivant les étapes 7-13. Si ce n'est pas ce que vous voulez, pressez et maintenez (2) fois les boutons **Program** et **Step/Dis** pour quitter ce mode.

### Exemple : Copie de Scanner 1 dans Scanner 2

- 1) Pressez et maintenez le bouton **FIXTURES** n°1.
- 2) En maintenant pressé le bouton n°1, pressez le bouton **FIXTURES** n°2.
- 3) En maintenant pressés les boutons **FIXTURES** n°1 et n°2, pressez et maintenez le bouton **Music/Add**.
- 4) Relâchez le bouton **FIXTURES** n°1 en premier avant de relâcher le bouton **FIXTURES** n° 2.
- 5) Relâchez le bouton **Music/Add**.
- 6) Toutes les LED témoins **FIXTURES** clignoteront pour confirmer la réussite de la copie.
- 7) Pressez et maintenez (2) fois les boutons **Program** et **Step/Dis** pour quitter ce mode.

### Notes ¥

*Tous les faders physiques peuvent être réassignés pour contrôler un canal DMX différent. Un numéro de canal est affecté aux faders et il est inscrit sur la surface du contrôleur.*

---

## Sortie de canal inversée (CONFIGURATION OPTIONNELLE)

### Action •

- 1) Pressez et maintenez ensemble les boutons **Program** et **Step/Dis** (2) fois pour accéder au mode d'assignation des canaux puis pressez le bouton **FIXTURES**.
- 2) Sélectionnez l'appareil (**FIXTURES**).
- 3) Déplacez le fader **SPEED** jusqu'à ce que vous arriviez au canal de contrôleur que vous souhaitez modifier.
- 4) Montez le fader **FADE TIME** à fond jusqu'à ce que N se change en Y.

Si vous désirez copier les assignations d'inversion de canal d'un scanner dans un autre scanner, continuez en suivant les étapes 5-11. Si ce n'est pas ce que vous voulez, pressez et maintenez (1) fois les boutons **Program** et **Step/Dis** pour quitter ce mode.

### Exemple : Copie de Scanner 1 dans Scanner 2

- 1) Pressez et maintenez le bouton **FIXTURES** n°1.
- 2) En maintenant pressé le bouton n°1, pressez le bouton **FIXTURES** n°2.
- 3) En maintenant pressés les boutons **FIXTURES** n°1 et n°2, pressez et maintenez le bouton **Music/Add**.
- 4) Relâchez le bouton **FIXTURES** n°1 en premier avant de relâcher le bouton **FIXTURES** n° 2.
- 5) Relâchez le bouton **Music/Add**.
- 6) Toutes les LED témoins **FIXTURES** clignoteront pour confirmer la réussite de la copie.
- 7) Pressez et maintenez (1) fois les boutons **Program** et **Step/Dis** pour quitter ce mode.

### Notes ¥

*Vous pouvez inverser de façon permanente la sortie de n'importe quel canal sur le contrôleur.*

## Restauration des réglages d'usine

### Action •

- 1) Pressez simultanément les boutons **Step Up** et **Auto/Del**.
- 2) Toutes les LED clignoteront, indiquant le succès de la réinitialisation du contrôleur.

### Notes ¥

*Cela effacera toutes les séquences (Chases) mémorisées !*

*Cela fonctionne dans n'importe quel mode : programme ou lecture.*

## Blackout

Le bouton **Blackout** ramène toutes les valeurs de lumière à 0 ou les coupe (c'est aussi la position de départ de l'unité).

---

## Assignation de fondu (CONFIGURATION OPTIONNELLE)

Utilisez cette fonction pour commuter on/off le curseur de fondu d'un canal donné. C'est utile lorsque vous voulez que le temps de fondu affecte le pan/tilt d'un appareil pour des mouvements plus doux, mais pas des éléments tels que shutter (obturateur), couleur ou gobo, car ceux-ci changent généralement très vite.

### Action •

- 1) Pressez et maintenez ensemble les boutons **Blackout** et **Step/Dis** (2) fois pour accéder au mode d'assignation des canaux puis pressez le bouton **FIXTURES**.
- 2) Sélectionnez l'appareil (**FIXTURES**).
- 3) Déplacez le fader **SPEED** jusqu'à ce que vous arriviez au canal de contrôleur que vous souhaitez modifier.
- 4) Montez le fader **FADE TIME** à fond jusqu'à ce que N se change en Y.
- 5) Pressez le bouton **Music/Add**.
- 6) Relâchez le bouton **Music/Add**.
- 7) Toutes les LED témoins **FIXTURES** clignoteront pour confirmer la réussite du réglage.
- 8) Pressez et maintenez (1) fois les boutons **Blackout** et **Step/Dis** pour quitter ce mode.

### Notes ¥

*Cela commutera on/off de façon permanente le temps de fondu pour un canal, jusqu'à ce l'utilisateur ne le commute de nouveau on/off.*

## Programmation

Un programme (banque) est une séquence de scènes (ou pas) différentes qui seront rappelées l'une après l'autre. Dans l'Obey™ 10, 6 programmes ayant chacun 999 pas peuvent être créés.

### Passage en mode programme

Pressez durant 3 secondes le bouton **Program** jusqu'à ce qu'un point LED clignote à côté du mot **Program**. Cela indique que l'utilisateur est en mode de programmation.

#### Action •

- 1) Pressez et maintenez le bouton **Program** durant 3 secondes.
- 2) Sélectionnez un appareil (**FIXTURES**) à programmer.
- 3) Sélectionnez une séquence (Chase) où mémoriser le programme (1~6).
- 4) Composez la scène en déplaçant les **FADERS** (cela change des attributs de l'appareil tels que couleurs et gobos). Pressez **Page Select** pour accéder aux canaux 9~16 sur les faders.
- 5) Pour programmer un autre appareil, pressez le bouton **FIXTURES** de l'appareil que vous avez fini de programmer puis pressez le bouton **FIXTURES** du suivant.
- 6) Répétez les étapes 2 ~ 4 jusqu'à ce que votre scène soit terminée.
- 7) Bougez les curseurs **Speed** et **Fade Time** pour régler vitesse et temps de fondu de scène.
- 8) Appuyez sur le bouton **Music/Add** pour mémoriser la scène dans la séquence.
- 9) Toutes les LED **FIXTURES** clignoteront, indiquant la réussite de la sauvegarde.
- 10) L'affichage passera automatiquement au pas suivant. Utilisez les boutons **Step Up** et **Step Down** pour naviguer dans les pas existants de la séquence (Chase).
- 11) Répétez les étapes 2 ~ 8 pour enregistrer d'autres scènes (Notes de droite ->).
- 12) Pour quitter le mode de programmation, maintenez 3 secondes le bouton **Program**. Le contrôleur revient par défaut au **Blackout** après le mode programme.

#### Notes ¥

Désélectionnez **Blackout** si sa LED témoin est allumée.

Un bouton **FIXTURES** représente un appareil d'éclairage.

Vous pouvez accéder aux canaux 9~16 (changer de page) en pressant le bouton **Page Select**. C'est nécessaire pour les appareils demandant plus de 8 canaux de commande. Quand vous changez de page, il faut monter et descendre les faders précédemment bougés pour les activer.

Presser à nouveau le même bouton **FIXTURES** maintient les paramètres changés pour cet appareil dans la scène de programme.

999 scènes sont disponibles dans chaque séquence (Chase).

### Suppression d'un pas

#### Action •

- 1) Pressez 3 secondes le bouton **Program**.
- 2) Pressez le bouton **CHASES** (1~6) de la séquence (Chase) à modifier.
- 3) Allez sur le pas de programme voulu avec les boutons **Step Up** et **Step Down**.
- 4) Pressez le bouton **Auto/Del** pour supprimer le pas/scène en question.
- 5) Toutes les LED **FIXTURES** clignoteront, indiquant la réussite de la suppression.
- 6) Quand vous avez fini de supprimer des pas, pressez et maintenez 3 secondes le bouton **Program** pour quitter le mode Programme.

#### Notes ¥

Désélectionnez **Blackout** si sa LED témoin est allumée.

La scène actuellement sélectionnée sera envoyée aux appareils d'éclairage connectés à la sortie DMX.



---

## Suppression de séquence (Chase)

### Action •

- 1) Pressez le bouton **Program** durant 3 secondes.
- 2) Pressez et maintenez le bouton **Auto/Del** tout en pressant le bouton **CHASES** de la séquence à supprimer.
- 3) Toutes les LED clignoteront, indiquant le succès de l'effacement de la séquence.

### Notes ¥

*Cela effacera tous les pas de la séquence !!!*

## Ajout d'un pas à une séquence

### Action •

- 1) Pressez et maintenez le bouton **Program** durant 3 secondes pour passer en mode de programmation.
- 2) Pressez le bouton **CHASES** (1~6) de la séquence désirée.
- 3) Utilisez les boutons **Step Up/Step Down** pour parcourir la séquence et arriver au numéro de pas au niveau duquel vous voulez ajouter un pas.
- 4) Sélectionnez un bouton **FIXTURES**.
- 5) Réglez les **faders** en fonction de l'aspect désiré sur la scène.
- 6) Pressez le bouton **Music/Add** et un pas sera ajouté après le numéro de pas précédemment affiché. Toutes les LED témoins **FIXTURES** clignoteront pour confirmer la réussite de l'ajout.
- 7) Répétez les étapes 3~6 jusqu'à ce que vous ayez ajouté toutes les scènes voulues à la séquence.
- 8) Pressez et maintenez le bouton **Program** durant 3 secondes pour quitter le mode de programmation.

### Notes ¥

*Le pas sera ajouté après la scène affichée dans l'écran numérique.*

## Suppression d'une séquence

### Action •

- 1) Pressez et maintenez le bouton **Program** durant 3 secondes pour passer en mode de programmation.
- 2) Pressez le bouton **CHASES** (1~6) de la séquence à supprimer.
- 3) Pressez et maintenez le bouton **Auto/Del** et le bouton **CHASES** correspondant puis relâchez-le pour supprimer la séquence. Toutes les LED clignoteront 3 fois. Toutes les LED témoins **FIXTURES** clignoteront pour confirmer la réussite de la suppression.

### Notes ¥

*Les scènes resteront programmées dans le contrôleur. Seule la séquence est affectée.*

---

## Lecture

### Lecture manuelle d'une séquence (Chase)

À la première mise sous tension, le contrôleur est en mode de scène manuel.

#### Action •

- 1) Assurez-vous que ni le déclenchement par la musique (**Music Trig**) ni le déclenchement automatique (**Auto Trg**) ne sont allumés dans l'afficheur.
- 2) Sélectionnez le bouton de programme (**CHASES**) qui contient la scène que vous voulez lancer manuellement en utilisant **Step Up/Step Down**.

#### Notes ¥

*Si vous êtes en mode de programmation, vous pouvez aussi presser et maintenir le bouton **Program** jusqu'à ce que la LED **Program** s'éteigne.*

### Fonctionnement en mode activé par le son

#### Action •

- 1) Pressez le bouton **Music/Add** jusqu'à ce que la LED **Music Trig** (déclenchement par la musique) s'allume.
- 2) Sélectionnez la séquence (**CHASES**) que vous souhaitez utiliser.
- 3) Pressez le bouton **Music/Add** pour sortir.

#### Notes ¥

*En mode activé par le son (Sound), les programmes sont déclenchés par le son capté au travers du microphone intégré. Toutes les scènes d'une banque seront lues en séquence.*

### Fonctionnement en mode automatique

#### Action •

- 1) Pressez et maintenez le bouton **Auto/Del** jusqu'à ce que la LED **Auto Trig** (déclenchement automatique) s'allume.
- 2) Sélectionnez la séquence (**CHASES**) que vous souhaitez utiliser.
- 3) Vous pouvez régler l'intervalle de temps entre pas consécutifs avec le fader **Speed** et le temps de fondu des pas avec le fader **Fade Time**. Pour revenir aux valeurs programmées, pressez une fois le bouton **Program**.
- 4) Vous pouvez changer de banque pendant le fonctionnement avec les boutons **Step Up/Step Down**.

#### Notes ¥

*En mode Auto, les programmes seront déclenchés conformément aux réglages des faders **Fade Time** et **Speed**. Toutes les scènes d'une banque seront lues en séquence.*

**ATTENTION !** Le réglage de fondu (**Fade**) ne doit jamais être inférieur au réglage de temps de maintien (**Speed**) ou la scène ne sera jamais complètement exécutée.

### Lecture enchaînée des séquences

#### Action •

- 1) Pressez le bouton **Auto/Del** ou le bouton **Music/Add** pour sélectionner le mode de déclenchement.
- 2) Pressez le bouton **CHASES** de chaque séquence à reproduire.
- 3) Réglez la vitesse de séquence avec le fader **Speed**.

#### Notes ¥

*Les séquences doivent déjà avoir été programmées.*

*Les séquences seront lues dans l'ordre de sélection (pression des touches).*

---

# 4. APPENDICE

## Caractéristiques techniques

### POIDS ET DIMENSIONS

Longueur.....	483 mm
Largeur.....	89 mm
Hauteur.....	89 mm
Poids.....	1,78 kg

### ALIMENTATION

Plage de fonctionnement.....	CC 12 V, 500 mA max.
Adaptateur secteur (CA 100~240 V, 50/60 Hz).....	Fourni

### THERMIQUES

Température ambiante maximale.....	45°C
------------------------------------	------

### COMMANDE ET PROGRAMMATION

Sortie des données.....	Prise XLR 3 broches femelle à verrouillage
Brochage pour les données.....	Broche 1 (masse), broche 2 (-), broche 3 (+)
Protocoles.....	DMX-512 USITT

### INFORMATIONS DE COMMANDE

Contrôleur Obey™ 10.....	OBEY10
--------------------------	--------

### INFORMATIONS DE GARANTIE

Garantie.....	Garantie limitée de 2 ans
---------------	---------------------------



# RENOIS

Dans le cas où vous avez besoin d'aide ou pour retourner un produit :

- Si vous résidez aux États-Unis, contactez le siège mondial de Chauvet (voir [Nous Contacter](#)).
- Si vous vivez au Royaume-Uni ou en Irlande, contactez Chauvet Europe Ltd. (voir [Nous Contacter](#)).
- Si vous vivez au Mexique, contactez Chauvet Mexico (voir [Nous Contacter](#)).
- Si vous vivez au Benelux, contactez Chauvet Europe BVBA (voir [Nous Contacter](#)).
- Si vous résidez n'importe où ailleurs, NE contactez pas Chauvet. Contactez votre revendeur. Rendez-vous sur [www.chauvetlighting.com](http://www.chauvetlighting.com) pour découvrir la liste des revendeurs en dehors des États-Unis, du Royaume-Uni, de l'Irlande, du Mexique ou du Benelux.



**Si vous résidez en dehors des États-Unis, du Royaume-Uni, de l'Irlande, du Mexique, ou du Benelux contactez votre revendeur et suivez leurs instructions quant à la procédure à suivre pour renvoyer votre appareil. Consultez notre site Web [www.chauvetlighting.com](http://www.chauvetlighting.com) pour trouver leurs coordonnées.**

Téléphonez au centre d'assistance technique de Chauvet correspondant et demandez un numéro d'autorisation de retour (NAR) avant de nous réexpédier l'appareil. Pour l'obtenir, il vous sera demandé de fournir le numéro du modèle, le numéro de série ainsi qu'une brève description de l'objet du retour.

Vous devez nous retourner la marchandise en port prépayé, dans ses boîte et emballage d'origine et avec tous ses accessoires. Chauvet ne délivrera pas d'étiquettes de renvoi.

Indiquez lisiblement le NAR sur une étiquette apposée sur le colis. Chauvet refusera la réception de tout appareil pour lequel aucun NAR n'a été demandé.



**Inscrivez le NAR sur une étiquette convenablement collée. N'écrivez PAS le NAR directement sur le colis.**

Avant de nous retourner le colis, inscrivez les informations suivantes, de manière lisible, sur une feuille de papier, que vous placerez à l'intérieur du colis:

1. Votre nom
2. Votre adresse
3. Votre numéro de téléphone
4. Le numéro de NAR
5. Une courte description du problème

Veillez à emballer l'appareil de manière adéquate. Vous serez tenu responsable de tout dommage survenant lors de l'expédition de retour dû à un emballage inadéquat. Nous vous recommandons d'utiliser un emballage double ou celui de FedEx.



**Chauvet se réserve le droit, à sa convenance, de réparer ou remplacer tout appareil qui lui est retourné.**

---

# NOUS CONTACTER

## SIÈGE SOCIAL MONDIAL - Chauvet

### Informations Générales

Adresse : 5200 NW 108<sup>th</sup> Avenue  
Sunrise, FL 33351  
Téléphone:(954) 577-4455  
Télécopie:(954) 929-5560  
N° vert : (800) 762-1084

### Support Technique

Téléphone : (954) 577-4455  
(appuyer sur 4)  
Télécopie : (954) 756-8015  
E-mail : [tech@chauvetlighting.com](mailto:tech@chauvetlighting.com)

Site Web [www.chauvetlighting.com](http://www.chauvetlighting.com)

## ROYAUME-UNI ET L'IRLANDE - Chauvet Europe Ltd.

### Informations Générales

Adresse: Unit 1C  
Brookhill Road Industrial Estate  
Pinxton, Nottingham, UK  
NG16 6NT  
Téléphone:+44 (0)1773 511115  
Télécopie:+44 (0)1773 511110

### Support Technique

E-mail: [uktech@chauvetlighting.com](mailto:uktech@chauvetlighting.com)

Site Web [www.chauvetlighting.co.uk](http://www.chauvetlighting.co.uk)

## MEXIQUE - Chauvet Mexico

### Informations Générales

Adresse: Av. Santa Ana 30  
Parque Industrial Lerma  
Lerma, Mexico C.P. 52000  
Téléphone:+52 (728) 285-5000

### Support Technique

E-mail: [servicio@chauvet.com.mx](mailto:servicio@chauvet.com.mx)

Site Web [www.chauvet.com.mx](http://www.chauvet.com.mx)

## CHAUVET EUROPE - Chauvet Europe BVBA

### Informations Générales

Adresse: Stokstraat 18  
9770 Kruishoutem  
Belgium  
Téléphone:+32 9 388 93 97

### Support Technique

E-mail: [Eutech@chauvetlighting.eu](mailto:Eutech@chauvetlighting.eu)

Site Web [www.chauvetlighting.eu](http://www.chauvetlighting.eu)

En dehors des États-Unis, du Royaume-Uni, de l'Irlande, du Mexique ou du Benelux, contactez votre revendeur. Suivez leurs instructions pour accéder à l'assistance ou pour renvoyer un produit. Consultez notre site web pour les coordonnées.

# 1. ERSTE SCHRITTE

## Packungsinhalt

Obey™ 10 Controller  
Netzteil, DC 12 V 500 mA, 110 V oder 230 V  
Bedienungsanleitung  
Garantiekarte

## Anweisungen für das Auspacken

Packen Sie unmittelbar nach Erhalt das Gerät aus und überprüfen Sie, ob Sie alle Teile unbeschädigt erhalten haben. Wenn die Box oder die in der Verpackung befindlichen Teile beschädigt sind oder Mängel durch nicht einwandfreie Behandlung beim Versand aufweisen, sichern Sie alle Verpackungsteile und machen dies umgehend beim Transportunternehmen geltend. Bewahren Sie die Verpackung und alle Verpackungsmaterialien auf. Falls ein Gerät an das Werk zurückgesandt werden muss, so ist es wichtig, dabei die Originalverpackung zu verwenden.

## Sicherheitsanweisungen



**Bitte lesen Sie diese Anweisungen sorgfältig durch; dies beinhaltet die wichtigen Informationen zu Installation, Gebrauch und Wartung dieses Geräts.**

- Bitte heben Sie diese Bedienungsanleitung zur späteren Einsicht auf. Stellen Sie sicher, dass Sie bei einem Weiterverkauf dieses Geräts dieses Dokument mit den Anweisungen beilegen.
- Vergewissern Sie sich immer, dass die Spannung der Schukosteckdose, an die Sie das Produkt anschließen, nicht höher als die Spannung ist, wie sie auf dem Typenschild oder dem rückwärtigen Bedienfeld des Geräts angegeben ist.
- Dieses Gerät darf nur im Innenbereich verwendet werden.
- Um das Risiko von Bränden oder elektrischen Schlägen zu vermeiden, dürfen Sie das Gerät nicht Regen oder Feuchtigkeit aussetzen. Stellen Sie sicher, dass das Gerät mit einem Sicherheitsabstand zu entzündlichen Materialien betrieben wird.
- Installieren Sie das Gerät an einem Ort mit ausreichender Belüftung und mit einem Abstand von 50 cm zu den angrenzenden Flächen. Stellen Sie sicher, dass die Lüftungsöffnungen im Gehäuse des Geräts nicht verschlossen sind.
- Trennen Sie das Gerät vor Wartungsarbeiten oder dem Auswechseln des Leuchtmittels oder der Sicherung immer von der Stromquelle, und stellen Sie sicher, dass die Lampe nur durch eine Lampe des gleichen Typs ersetzt wird.
- Bei ernsthaften Betriebsproblemen stoppen Sie umgehend den Gebrauch des Geräts. Versuchen Sie nie selbst, dieses Gerät zu reparieren. Reparaturen müssen von entsprechend geschultem Fachpersonal durchgeführt werden, da sonst Schäden oder Fehlfunktionen auftreten können. Wenden Sie sich an den nächsten autorisierten Technischen Support. Verwenden Sie nur original Ersatzteile.
- Schließen Sie dieses Gerät niemals an einen Dimmer an.
- Stellen Sie sicher, dass das Netzkabel nicht gequetscht oder beschädigt ist.
- Ziehen Sie beim Trennen des Geräts von der Stromversorgung nie am Kabel.
- Dieses Gerät darf nicht bei Umgebungstemperaturen von 45 °C betrieben werden.
- Um unnötigen Verschleiß zu vermeiden und die Lebensdauer des Geräts zu verlängern, trennen Sie während längerer Perioden des Nichtgebrauchs das Gerät vom Stromnetz – entweder per Trennschalter oder durch Herausziehen des Steckers aus der Steckdose.

### **Vorsicht!**

**Die eingebauten Komponenten sind für den Kunden wartungsfrei. Öffnen Sie das Gehäuse nicht und versuchen Sie nicht selbst, Reparaturen vorzunehmen. Im unwahrscheinlichen Fall einer notwendigen Reparatur, wenden Sie sich bitte an Chauvet [www.chauvetlighting.com](http://www.chauvetlighting.com).**

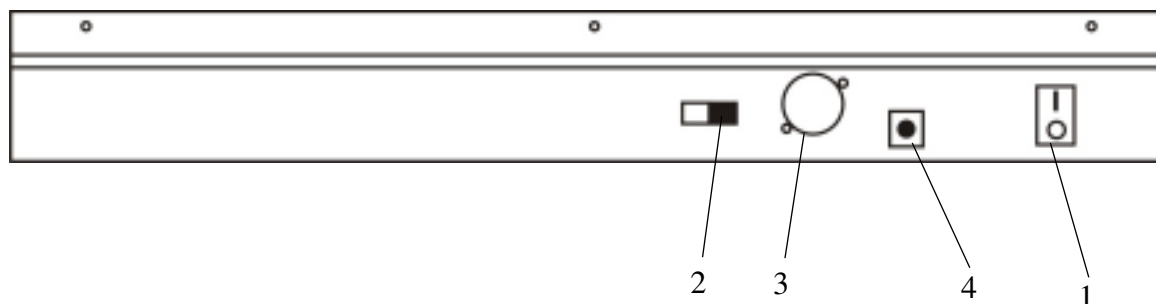
## 2. EINLEITUNG

Der Obey™ 10 ist eine universelle, intelligente Lichtsteuerung. Er erlaubt die Steuerung von 8 Geräten zu je 16 Kanälen und bis zu 6 programmierbaren Chases. Sechs Chase-Multiplexer können bis zu 999 Schritte enthalten. Programme, die durch Musik, automatisch oder manuell ausgelöst werden können. Kanal-Zuweisungen können einfach neu umprogrammiert werden, um unterschiedliche Geräte anzusteuern. Auf dem Gerät finden Sie verschiedene Programmier-Tools wie z. B. 8 universelle Kanal-Schieberegler, Scanner-Tasten für einen Schnellzugriff und eine LED-Kontrollleuchte für eine einfachere Navigation der Bedienelemente und Menüfunktionen.

### Eigenschaften

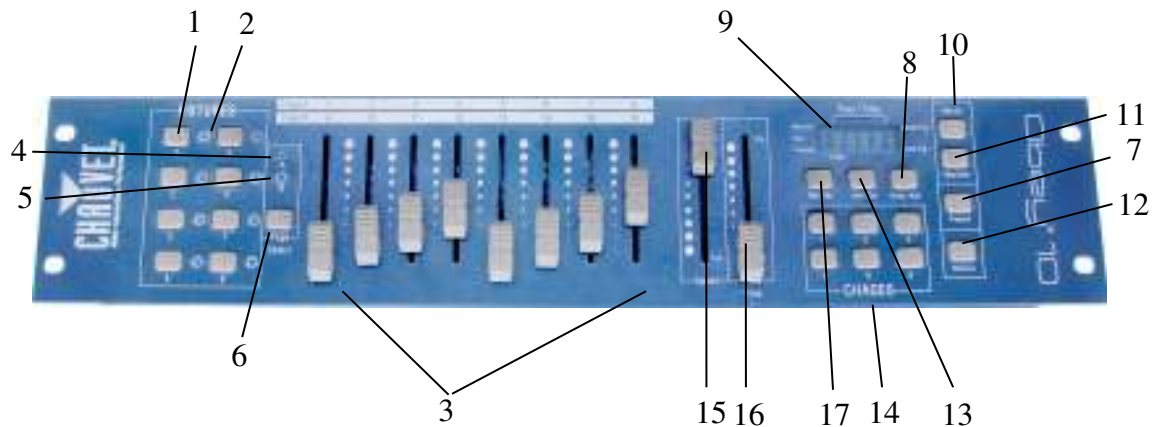
- Universeller DMX-512-Controller
- Steuert bis zu 8 intelligente Beleuchtungsgeräte mit jeweils bis zu 16 Kanälen
- 128 DMX-Steuerkanäle
- 6 verschiedene Chases, die jeweils über 999 einzelne Szenen verfügen
- Wendeschieber
- Neu zuweisbare Kanäle
- Zusammenschluss der Chases in Reihe
- Jedes Gerät lässt sich schnell aktivieren
- Musiksteuerung und automatisches Abspielen
- DMX- Polaritätsselektor
- Gehäuse mit 2 Höheneinheiten für Rackmontage

### Produktübersicht (rückseitiges Bedienfeld)



Bauteil	Taste oder Fader	Funktion
1	Geräteschalter Ein/Aus	Damit schalten Sie das Gerät ein/aus, während es im Netzteil eingesteckt ist
2	DMX-Polaritätsschalter	Kann zum Ändern der Signalpolarität verwendet werden
2	DMX-Ausgangsverbinder	DMX-Steuerungssignal
3	Gleichstromeingang	Netzteilanschluss

## Produktübersicht (Vorderseite)



Bauteil	Taste oder Fader	Funktion
1	Geräteauswahl-Tasten	Geräteauswahl
2	LED-Kontrollleuchten der Geräte	Zeigt die aktuell ausgewählten Geräte an
3	Kanal-Fader	Zum Anpassen der DMX-Werte, die Kanäle 1-8 können sofort nach Drücken der Scannerauswahl-Taste eingestellt werden, die Kanäle 9-16 können nach Drücken der Seitenauswahl-Taste eingestellt werden
4	LED-Kontrollleuchte für Seite A	Repräsentiert den ausgewählten Bereich der Kanäle 1-4
5	LED-Kontrollleuchte für Seite B	Repräsentiert den ausgewählten Bereich der Kanäle 9-16
6	Seitenauswahl-Taste	Mit dieser Taste schalten Sie zwischen den anzusteuern den Seiten um.
7	Programm-Taste	Mit dieser Taste rufen Sie den Programmier-Modus auf
8	Taste für Musik/Kopie hinzufügen	Mit dieser Taste aktivieren Sie den Musiksteuerungs-Modus und bestätigen während der Programmierung die Befehle.
9	LED-Anzeigefenster	Statusfenster, das relevante Betriebsdaten anzeigt
10	Step Up-Taste	Mit dieser Taste scrollen Sie während der Programmierung und Wiedergabe durch die Schritte in einer Szene
11	Step Down-Taste	Mit dieser Taste scrollen Sie während der Programmierung und Wiedergabe durch die Schritte in einer Szene
12	Verdunkelungs-Taste	Reduziert alle DMX-Werte auf Null.
13	Auto-/Löschen-Taste	Mit dieser Taste aktivieren Sie den Auto-Modus und löschen während der Programmierung den Funktionsschlüssel.
14	Chase-Tasten	Chase-Speicher 1-6
15	Geschwindigkeits-Fader	Damit stellen Sie die Haltezeit einer Szene oder eines Schrittes innerhalb eines Chase ein
16	Fade-Zeit-Fader	Auch als Überblendung bezeichnet, wird damit die Intervallzeit zwischen zwei Szenen in einem Chase eingestellt
17	Schritt/Anzeige-Taste	Mit dieser Taste ändern Sie die Schritte und die Anzeige von 0-255 oder 0-100 %



## Allgemeine Begriffe

Im Folgenden finden Sie allgemeine Begriffe aus dem Bereich der Programmierung von steuerbaren Lichtinstallationen.

- § **Verdunkelung** (Blackout) ist ein Zustand, bei dem die Lichtausgabe aller Beleuchtungsgeräte auf 0 oder Aus eingestellt ist, was gewöhnlich zeitlich befristet ist.
- § **DMX-512** ist ein branchenübliches digitales Kommunikationsprotokoll für Beleuchtungsgeräte in der Unterhaltungsindustrie. Für weitere Informationen lesen Sie "DMX - Eine Einführung" und "DMX-Steuerungs-Modus" im Anhang.
- § **Gerät** bezieht sich auf das Beleuchtungsinstrument oder andere steuerbare Geräte wie z. B. Nebelmaschinen oder Dimmer.
- § **Programme** sind eine Reihe von Szenen, die aufeinander gestapelt sind. Sie können entweder als einzelne Szenen oder mehrere Szenen in einer Folge programmiert werden.
- § **Szenen** sind statische Beleuchtungszustände.
- § **Schieberegler** sind auch als Fader (Überblendregler) bekannt.
- § **Chases** können auch als Programme bezeichnet werden. Ein Chase besteht aus einer Reihe von Szenen, die aufeinander gestapelt sind.
- § **Scanner** bezieht sich auf ein Beleuchtungsinstrument mit einem Schwenkungs-/Neigungsspiegel; DMX-Controller können jedoch auch diesen Begriff zur Steuerung eines mit dem DMX-512-Protokoll kompatiblen Geräts als generisches Gerät verwenden.
- § **MIDI** ist ein Standard zur Darstellung musikalischer Informationen in einem digitalen Format. Ein MIDI-Eingang bietet eine externe Auslösung von Szenen per MIDI-Gerät, wie zum Beispiel eine MIDI-Tastatur.
- § **Stand-alone** bezeichnet die Eigenschaft eines Geräts, unabhängig von einem externen Controller zu funktionieren, dies üblicherweise aufgrund des eingebauten Mikrofons synchron zum Takt der Musik.
- § Der **Fade**-Schieberegler wird verwendet, um die Zeit zwischen den Szenen innerhalb eines Chases festzulegen.
- § Der **Geschwindigkeits**-Schieberegler wird verwendet, um die Dauer der Zeit einzustellen, die eine Szene ihren Zustand beibehält. Dies wird auch als Wartezeit bezeichnet.
- § **Shutter** ist eine mechanische Vorrichtung im Innern des Beleuchtungsgeräts, mit dessen Hilfe Lichtpfade blockiert werden können. Er wird häufig verwendet, um die Intensität der Lichtausgabe und des Stroboskopeffekts zu verringern.
- § **Patching** ist das Verfahren zur Zuweisung von Fadern zu einem DMX-Kanal innerhalb eines Geräts.
- § **Wiedergabe** bezieht sich entweder auf Szenen oder Chases, die der Bediener direkt zur Ausführung aufrufen kann. Eine Wiedergabe kann auch als Programmspeicher bezeichnet werden, der während einer Show aufgerufen wird

# 3. BETRIEBSANWEISUNGEN

## Einrichten des Geräts

### Einrichten des Systems

- 1) Stellen Sie den Obey™ 10 auf einen ebenen Untergrund.  
*Hinweis: Der Obey™ 10 kann auch in ein Rack eingebaut werden; er benötigt zwei Rackeinschube (2E).*
- 2) Verbinden Sie das Netzteil mit dem Gerät und einer Wandsteckdose.
- 3) Verbinden Sie Ihre DMX-Kabel zu Ihrem steuerbaren Beleuchtungsgerät wie im entsprechenden Handbuch des Geräts beschrieben. Für eine schnelle Übersicht lesen Sie den Abschnitt "DMX - Eine Einführung".
- 4) Setzen Sie das System entsprechend den Anweisungen auf Seite 9 zurück.

### Adressierung des Geräts

Der Obey™ 10 wurde für die Steuerung von 16 DMX-Kanälen pro Gerät programmiert. Daher müssen die Geräte, die Sie mit den entsprechenden "FIXTURE" (Geräte) -Tasten ansteuern möchten, 16 Kanäle voneinander entfernt sein (im Handbuch des Geräts finden Sie Informationen, wie Sie diese Infos in das Gerät eingeben).

**Hinweis:** Werden diese DMX-Zuweisungen nicht verwendet, kann es zu Funktionsstörungen bei der Steuerung der Geräte kommen.

GERÄTE- ODER SCANNER- NR.	STANDARDMÄßIGE DMX- STARTADRESSE	EINSTELLUNGEN BINÄRER DIP- SCHALTER SCHALTEN SIE IN DIE STELLUNG "ON" (EIN):
1	1	1
2	17	1,5
3	33	1,6
4	49	1,5, 6
5	65	1,7
6	81	1,5, 7
7	97	1,6, 7
8	113	1,5, 6,7

## Zuweisung physischer Fader (OPTIONALE EINRICHTUNG)

Verwenden Sie diese Funktion, um Bedienelementattribute von Geräten für unterschiedliche Geräte zu kombinieren oder zusammenzulegen. Zum Beispiel: Wenn Sie 4 bewegliche Spiegel und 4 bewegliche Joche steuern, können die Farb-, Gobo- und Dimmerkanäle nicht ideal auf die physischen Fader ausgerichtet sein. Verwenden Sie diese Funktion, um die Farb-, Gobo- und Dimmerkanäle den Fadern 1, 2 und 3 zuzuweisen. Von nun an sind Sie in der Lage, mit dem gleichen Fader-Ort die gleichen Attribute bei allen Geräten zu steuern.

### Wirkung •

- 1) Drücken und halten Sie die Tasten **PROGRAM & STEP/DIS** (Programm und Schritt/Anzeige) einmal, um auf den Kanalzuweisungs-Modus zuzugreifen.
- 2) Betätigen Sie eine der **FIXTURE**-Tasten, die das Gerät repräsentiert, dessen Fader Sie neu zuweisen möchten.
- 3) Bewegen Sie den **SPEED**-Fader (Geschwindigkeit), bis Sie am Controller-Kanal (Nummer) angekommen sind.
- 4) Bewegen Sie den **FADE TIME**-Fader (Fade-Zeit), um den DMX-Kanal auszuwählen, zu dem Sie sich bewegen möchten.
- 5) Betätigen Sie die **MUSIC/ADD**-Taste (Musik/Hinzufügen), um die Einstellung zu bestätigen. Alle LED-Kontrollleuchten der Tasten **FIXTURES** (Geräte) blinken auf, um ein erfolgreiches Kopieren anzuzeigen.
- 6) Wiederholen Sie die Schritte 3-5 so oft wie nötig.

Wenn Sie die physischen Zuweisungen eines Scanners zu einem anderen Scanner kopieren möchten, befolgen Sie die Schritte 7-13. Wenn Sie dies nicht wünschen, drücken Sie zweimal auf die Tasten **PROGRAM** und **Step/Dis** (Programm und Schritt/Anzeige), um den Modus zu verlassen.

### Beispiel: Kopieren von Scanner 1 nach Scanner 2

- 1) Drücken und halten Sie die Taste **FIXTURE** Nr. 1 gedrückt.
- 2) Drücken Sie, während Sie die Taste Nr. 1 gedrückt halten, auf die Taste **FIXTURE** Nr. 2.
- 3) Drücken Sie, während Sie Tasten **FIXTURES** Nr. 1 und Nr. 2 gedrückt halten, auf die Taste **MUSIC/ADD** und halten Sie sie gedrückt.
- 4) Lassen Sie die Taste **SCANNER** Nr. 1 los, bevor Sie die Taste **SCANNER** Nr. 2 loslassen.
- 5) Lassen Sie die Taste **MUSIC/ADD** los.
- 6) Eine LED-Kontrollleuchte der **FIXTURES** (Geräte) blinkt auf, um ein erfolgreiches Kopieren anzuzeigen.
- 7) Drücken und halten Sie die Tasten **PROGRAM & STEP/DIS** (Programm und Schritt/Anzeige) zweimal, um den Modus zu verlassen.

### Bemerkung ¥

*Alle physischen Fader können auf einem anderen DMX-Kanal dem Ausgang neu zugewiesen werden. Fader besitzen eine Kanalnummer und sind auf dem Bedienfeld des Controllers entsprechend gekennzeichnet.*

## Umgekehrter Kanalausgang (OPTIONALE EINRICHTUNG)

### Wirkung •

- 1) Drücken und halten Sie die Tasten **PROGRAM & STEP/DIS** (Programm und Schritt/Anzeige) zweimal, um auf den Kanaluweisungs-Modus zuzugreifen, und drücken Sie dann auf die Taste **FIXTURE** (Gerät).
- 2) Wählen Sie **FIXTURE**.
- 3) Bewegen Sie den **SPEED**-Fader (Geschwindigkeit), bis Sie am Controller-Kanal angekommen sind, den Sie ändern möchten.
- 4) Schieben Sie den Fader **FADE TIME** ganz nach oben, bis N zu Y wird.

Wenn Sie die umgekehrten Kanaluweisungen eines Scanners zu einem anderen Scanner kopieren möchten, befolgen Sie die Schritte 5-11. Wenn Sie dies nicht wünschen, drücken und halten Sie die Tasten **PROGRAM** und **TAPSYNC** (Programm und Tap Sync) zweimal, um den Modus zu verlassen.

*Beispiel:* Kopieren von Scanner 1 nach Scanner 2

- 1) Drücken und halten Sie die Taste **FIXTURE** Nr. 1 gedrückt.
- 2) Drücken Sie, während Sie die Taste Nr. 1 gedrückt halten, auf die Taste **FIXTURE** Nr. 2.
- 3) Drücken Sie, während Sie Tasten **FIXTURES** Nr. 1 und Nr. 2 gedrückt halten, auf die Taste **MUSIC/ADD** und halten Sie sie gedrückt.
- 4) Lassen Sie die Taste **FIXTURE** Nr. 1 los, bevor Sie die Taste **FIXTURE** Nr. 2 loslassen.
- 5) Lassen Sie die Taste **MUSIC/ADD** los.
- 6) Eine LED-Kontrollleuchte der **FIXTURES** (Geräte) blinkt auf, um ein erfolgreiches Kopieren anzuzeigen.
- 7) Drücken und halten Sie die Tasten **PROGRAM & STEP/DIS** (Programm und Schritt/Anzeige) einmal, um den Modus zu verlassen.

### Bemerkung ¥

*Sie können den Ausgang eines gegebenen Kanals am Controller dauerhaft umkehren.*

## Auf die Werkseinstellungen zurücksetzen

### Maßnahme •

- 1) Betätigen Sie die Tasten **STEP UP** und **AUTO/DEL** gleichzeitig.
- 2) Alle LED-Anzeigen leuchten auf; damit wird ein erfolgreiches Zurücksetzen des Controllers angezeigt.

### Hinweise ¥

*Dadurch werden alle gespeicherten Chases gelöscht!*

*Dies funktioniert in jedem Modus: Programm oder Wiedergabe.*

## Verdunkelung

Die Taste **Blackout** (Verdunkelung) schaltet die Lichtausgabe aller Beleuchtungsgeräte auf 0 oder Aus (auch als Anfangsposition des Geräts bezeichnet).

## Fade-Zuweisung (OPTIONALE EINRICHTUNG)

Verwenden Sie diese Funktion, um den Fade-Schieberegler für einen bestimmten Kanal ein- oder auszuschalten. Sie ist am nützlichsten, wenn die Fade-Zeit die Schwenkung/Neigung eines Geräts zur ruckelfreieren Bewegung beeinflussen soll, Sie diese Funktion jedoch nicht bei Dingen wie Shutter oder Farbe oder Gobo verwenden möchten, da diese meistens sehr schnell umschalten.

### Maßnahme •

- 1) Drücken und halten Sie die Tasten **BLACKOUT & STEP/DIS** (Verdunkelung und Schritt/Anzeige) zweimal, um auf den Kanalzuweisungs-Modus zuzugreifen, und drücken Sie dann auf die Taste **FIXTURE** (Gerät).
- 2) Wählen Sie **FIXTURE**.
- 3) Bewegen Sie den **SPEED**-Fader (Geschwindigkeit), bis Sie am Controller-Kanal angekommen sind, den Sie ändern möchten.
- 4) Schieben Sie den Fader **FADE TIME** ganz nach oben, bis N zu Y wird.
- 5) Betätigen Sie die Taste **MUSIC/ADD**.
- 6) Lassen Sie die Taste **MUSIC/ADD** los.
- 7) Alle LED-Kontrollleuchten der Tasten **FIXTURES** (Geräte) blinken auf, um eine erfolgreiche Einstellung anzuzeigen.
- 8) Drücken und halten Sie die Tasten **BLACKOUT & STEP/DIS** (Verdunkelung und Schritt/Anzeige) einmal, um den Modus zu verlassen.

### Hinweise ¥

*Dadurch wird die Fade-Zeit für einen Kanal dauerhaft ein-/ausgeschaltet, bis der Bediener diese wieder ein-/ausschaltet.*

## Programmierung

Ein Programm (Multiplexer) ist eine Folge verschiedener Szenen (oder Schritte), die eine nach der anderen abgerufen werden. Beim Obey™ 10 können 6 Programme mit jeweils bis zu 999 Schritten erstellt werden.

### Aufrufen des Programm-Modus

Drücken Sie auf die Taste **PROGRAM** und halten Sie sie für 3 Sekunden gedrückt, bis eine LED neben der Kennzeichnung **PROGRAM** blinkt. Dies zeigt an, dass sich der Benutzer im Programmier-Modus befindet.

#### Maßnahme •

- 1) Drücken Sie auf die Taste **PROGRAM** und halten Sie sie für 3 Sekunden gedrückt.
- 2) Wählen Sie ein zu programmierendes **FIXTURE** (Gerät) aus.
- 3) Wählen Sie ein Chase aus, in dem Sie das Programm speichern möchten (1-6).
- 4) Erstellen Sie durch Verschieben der **FADER** einen Look. (Änderungen der Geräteattribute wie Farbe und Gobos)  
Drücken Sie auf **PAGE SELECT** (Seitenauswahl), um auf die Kanäle 9-16 auf den Fadern zuzugreifen.
- 5) Um ein weiteres **GERÄT** zu programmieren, drücken Sie auf die **FIXTURE** (Gerät) -Taste, deren Programmierung Sie gerade abgeschlossen haben, und wählen eine andere **FIXTURE**-Taste zum Programmieren.
- 6) Wiederholen Sie die Schritte 2-4, bis Sie Ihren Look haben.
- 7) Tippen Sie zum Speichern auf die Taste **MUSIC/ADD**.
- 8) Alle LED-Kontrollleuchten der Tasten **FIXTURES** leuchten auf; damit wird ein erfolgreiches Speichern des Schrittes im Speicher angezeigt.
- 9) Die Anzeige fährt automatisch mit dem nächsten Schritt fort. Mit den Tasten **Step Up** und **Step Down** scrollen Sie durch die vorhandenen Schritte im Chase.
- 10) Wiederholen Sie die Schritte 2-8, um mehr Szenen aufzuzeichnen.  
(Lesen Sie "Wichtige Hinweise" auf der rechten Seite ->)
- 11) Drücken Sie auf die Taste **PROGRAM** und halten Sie sie für 3 Sekunden gedrückt, um den Programm-Modus zu verlassen. Der Controller aktiviert standardmäßig **BLACKOUT** (Verdunkelung), wenn die Programmierung beendet wird.

#### Hinweise ¥

*Heben Sie die Auswahl von **Blackout** auf, wenn die LED leuchtet.*

*Eine **FIXTURE**-Taste steht für ein Beleuchtungsgerät.*

*Sie können auf die Kanäle 9-16 zugreifen, indem Sie auf die Taste **Page Select** (Seitenauswahl) drücken. Dies ist bei Geräten erforderlich, die mehr als 8 Kanäle zur Steuerung verwenden. Beim Umschalten zwischen den Seiten müssen Sie zuvor bewegte Fader nach oben und dann nach unten schieben, um diese zu aktivieren.*

*Durch erneutes Drücken auf die gleiche **FIXTURE**-Taste werden die für dieses Gerät in der Programmszene geänderten Parameter gehalten.*

*Es sind für jedes Chase 999 Szenen verfügbar.*

## Löschen eines Schritts

### Maßnahme •

- 1) Drücken Sie auf die Taste **PROGRAM** und halten Sie sie für 3 Sekunden gedrückt.
- 2) Drücken Sie auf die Chase-Taste (1-6), um den gewünschten Chase auszuwählen, den Sie bearbeiten möchten.
- 3) Sie können nun mit den Tasten **Step Up** und **Step Down** den Schritt im Programm suchen.
- 4) Drücken Sie auf die **Auto/Del**-Taste, um den aktuellen Schritt zu löschen.
- 5) Alle LED-Kontrollleuchten der Tasten **FIXTURES** leuchten auf; damit wird ein erfolgreiches Löschen des Schrittes aus dem Speicher angezeigt.
- 6) Sobald Sie das Löschen der Schritte abgeschlossen haben, drücken Sie auf die **PROGRAM**-Taste und halten diese Taste zum Beenden des Programm-Modus für 3 Sekunden gedrückt.

### Hinweise ¥

Heben Sie die Auswahl von **Blackout** auf, wenn die **LED** leuchtet.

Die aktuell ausgewählte Szene wird an die mit dem **DMX**-Ausgang verbundenen Beleuchtungsgeräte ausgegeben.

## Löschen eines Chase

### Maßnahme •

- 1) Drücken Sie auf die Taste **PROGRAM** und halten Sie sie für 3 Sekunden gedrückt.
- 2) Drücken und halten Sie die **AUTO/DEL**-Taste gedrückt, während Sie auf den zu löschenden **Chase** drücken.
- 3) Alle LED-Kontrollleuchten leuchten auf; damit wird ein erfolgreiches Löschen des Chase angezeigt.

### Hinweise ¥

**! Dadurch werden alle Schritte im Chase gelöscht!**

## Hinzufügen eines Schritts zu einem Chase

### Maßnahme •

- 1) Drücken Sie auf die Taste **PROGRAM** und halten Sie sie für 3 Sekunden gedrückt, um den Programmier-Modus aufzurufen.
- 2) Drücken Sie auf die gewünschte Taste **CHASE** (1-6).
- 3) Mit den Tasten **Step Up/Step Down** scrollen Sie durch den Chase bis zur Schrittnummer, für die Sie einen Schritt hinzufügen möchten.
- 4) Wählen Sie eine der **FIXTURE** (Gerät) -Tasten aus.
- 5) Passen Sie die **Fader** an den gewünschten Look auf der Bühne an.
- 6) Drücken Sie auf die Taste **Music/Add**, damit eine Schrittnummer nach der zuvor angezeigten Schrittnummer hinzugefügt wird. Alle LED-Kontrollleuchten der Tasten **FIXTURES** (Geräte) blinken auf, um ein erfolgreiches Kopieren anzuzeigen.
- 7) Wiederholen Sie die Schritte 3-6, bis alle Szenen zum Chase hinzugefügt worden sind.
- 8) Drücken Sie auf die Taste **PROGRAM** und halten Sie sie für 3 Sekunden gedrückt, um den Programmier-Modus zu beenden.

### Hinweise ¥

Der Schritt wird nach der auf der digitalen Anzeige angezeigten Szene hinzugefügt.

## Löschen eines Chase

### Maßnahme •

- 1) Drücken Sie auf die Taste **PROGRAM** und halten Sie sie für 3 Sekunden gedrückt, um den Programmier-Modus aufzurufen.
- 2) Drücken Sie auf die zu löschende **CHASE**-Taste (1-6).
- 3) Drücken und halten Sie die **AUTO/DEL**-Taste und die entsprechende **CHASE** gedrückt und lassen Sie diese dann los, um den Chase zu löschen. Alle LEDs blinken dreimal. Alle LED-Kontrollleuchten der Tasten **FIXTURES** (Geräte) blinken auf, um ein erfolgreiches Kopieren anzuzeigen.

### Hinweise ¥

*Die Schritte bleiben auf dem Controller programmiert. Es ist nur der Chase betroffen.*

## Wiedergabe

### Manuelle Ausführung des Chase

Wenn der Geräteschalter auf "ON" geschaltet wird, befindet sich der Controller im manuellen Szenen-Modus.

### Maßnahme •

- 1) Stellen Sie sicher, dass weder die LEDs von **MUSIC TRIGGER** noch von **AUTO TRIGGER** auf der LED-Anzeige angezeigt werden.
- 2) Wählen Sie die **CHASE**-Taste des Programms aus, das die Szene gespeichert hat, die Sie manuell mit den Tasten **STEP UP/DOWN** ausführen möchten.

### Hinweise ¥

*Wenn Sie sich im Programmier-Modus befinden, können Sie außerdem auf die **PROGRAM**-Taste drücken und diese halten, bis die **Program-LED** erlischt.*

### Ausführen im Musiksteuerungs-Modus

### Maßnahme •

- 1) Betätigen Sie die **MUSIC/ADD**-Taste, bis die **MUSIC TRIGGER**-LED aufleuchtet.
- 2) Wählen Sie den **CHASE**, den Sie ausführen möchten.
- 3) Drücken Sie auf die **AUTO/DEL**-Taste, um den Chase zu beenden.

### Hinweise ¥

*Im Musiksteuerungs-Modus werden Programme über das eingebaute Mikrofon durch den Takt der Musik ausgelöst. Alle Szenen in einem Multiplexer laufen nach (Chase-Effekt).*

### Ausführen im Auto-Modus

### Maßnahme •

- 1) Betätigen und halten Sie die **AUTO/DEL**-Taste, bis die **AUTO TRIGGER**-LED aufleuchtet.
- 2) Wählen Sie den **CHASE**, den Sie ausführen möchten.
- 3) Sie können die Zeit zwischen den Schritten einstellen, indem Sie den **SPEED**-Fader bewegen, die Fade-Zeit des Schritts stellen Sie durch Bewegen des **FADE TIME**-Faders ein.
- 4) Sie können während des Betriebs mit den Tasten **STEP UP/DOWN** Multiplexer ändern.

### Hinweise ¥

*Im Auto-Modus werden Programme über die Fade-Zeit und Geschwindigkeitszeit der Controller entsprechend der Einstellung an den Fadern ausgelöst. Alle Szenen in einem Multiplexer laufen nach (Chase-Effekt).*

**VORSICHT!** Die Fade-Einstellung sollte niemals langsamer sein als die Geschwindigkeitseinstellung; andernfalls wird die Szene nicht vollständig ausgeführt.

## Ausführen mehrerer Chases in einer sequenziellen Reihenfolge

### Maßnahme •

- 1) Drücken Sie entweder auf die Taste **AUTO/DEL** oder die Taste **MUSIC/ADD**, um den Auslöse-Modus auszuwählen.
- 2) Drücken Sie für jeden Chase, den Sie zur Wiedergabe hinzufügen möchten, auf die **CHASE**-Taste.
- 3) Passen Sie die Chase-Geschwindigkeit durch Bewegen des **SPEED**-Faders an.

### Hinweise ¥

*Chases müssen bereits programmiert sein.*

*Die Chases werden in der Reihenfolge ausgeführt, in der sie gedrückt worden sind.*

*Zum Löschen eines Chase von der Wiedergabe drücken Sie auf die **CHASE**-Taste, wie Sie diese von der Wiedergabe ausschließen möchten.*



# 4. ANHANG

## Technische Daten

### GEWICHTE & ABMESSUNGEN

Länge .....	19 in (482 mm)
Breite .....	3,5 in (89 mm)
Höhe .....	3,5 in (89 mm)
Gewicht .....	3,9 lbs (1,78 kg)

### LEISTUNGS-AUFNAHME

Betriebstemperaturbereich .....	DC 12 V, max. 500 mA
Adapter .....	beiliegend

### WÄRMEENTWICKLUNG

Maximale Umgebungstemperatur .....	113 °F (45 °C)
------------------------------------	----------------

### STEUERUNG UND PROGRAMMIERUNG

Datenausgang .....	3-polige XLR-Buchse mit Verriegelung
Stiftkonfiguration für Daten .....	Pin 1 Abschirmung, Pin 2 (-), Pin 3 (+)
Protokolle .....	DMX-512 USITT

### BESTELLINFORMATIONEN

Obey™ 10 Controller .....	OBEY10
---------------------------	--------

### GARANTIEINFORMATIONEN

Garantie .....	2-jährige eingeschränkte Garantie
----------------	-----------------------------------



# REKLAMATIONEN

Wenn Sie Unterstützung benötigen oder ein Gerät zurückgeben möchten:

- Wenn Sie Ihren Wohnsitz in den USA haben, wenden sich an Chauvet World Headquarters. (Siehe [Kontakt](#))
- Wenn Sie Ihren Wohnsitz in GB oder Irland haben, wenden Sie sich an Chauvet Europe Ltd. (Siehe [Kontakt](#))
- Wenn Sie Ihren Wohnsitz in Mexiko haben, wenden Sie sich an Chauvet Mexiko. (Siehe [Kontakt](#))
- Wenn Sie Ihren Wohnsitz in Benelux haben, wenden Sie sich an Chauvet Europe BVBA. (Siehe [Kontakt](#))
- Wenn Sie in einem anderen Land leben, wenden Sie sich NICHT an Chauvet. Wenden Sie sich stattdessen an Ihren lokalen Lieferanten. Unter [www.chauvetlighting.com](http://www.chauvetlighting.com) finden Sie die Lieferanten außerhalb der USA, GB, Irlands, Mexiko, und Benelux.



**Kunden außerhalb der USA, GB oder Irland wenden sich an den aufgeführten Lieferanten und befolgen die Anweisungen zum Zurücksenden der Geräte von Chauvet. Um zu den Kontaktdaten zu gelangen, besuchen Sie bitte unsere Website unter [www.chauvetlighting.com](http://www.chauvetlighting.com).**

Nehmen Sie telefonisch Kontakt mit dem Technischen Support von Chauvet auf, und fordern Sie vor dem Verschicken eine Warenrücksendegenehmigungsnummer (RMA) an. Seien Sie darauf vorbereitet, die Modellnummer, Seriennummer und eine kurze Beschreibung des Grundes für das Zurückschicken angeben zu können.

Senden Sie die Ware frei, in der Originalverpackung und mit den originalen Zubehörteilen zurück. Chauvet lässt keine Retouren abholen.

Schreiben Sie die RMA gut leserlich auf die Verpackung. Chauvet weist alle Waren zurück, die keine RMA besitzen.



**Schreiben Sie die RMA auf ein ordnungsgemäß angebrachtes Hinweisschild. Die RMA NICHT DIREKT auf den Karton schreiben.**

Bevor Sie die Ware versenden, schreiben Sie klar und deutlich folgende Informationen auf einen Bogen Papier und legen ihn in die Verpackung.

1. Ihr Name
2. Ihre Adresse
3. Ihre Telefonnummer
4. RMA-Nummer
5. Eine kurze Problembeschreibung

Achten Sie auf eine sachgemäße Verpackung der Ware. Schäden, die durch unsachgemäßes Verpacken entstanden sind, liegen in Ihrer Verantwortung. Eine FedEx-Verpackung oder doppelte Verpackung wird empfohlen.



**Chauvet behält sich das Recht vor, nach eigenem Ermessen über Reparatur oder Ersatz der Ware zu befinden.**

# KONTAKT

## OFICINA CENTRAL - Chauvet

### Allgemeine Informationen

Adresse: 5200 NW 108<sup>th</sup> Avenue  
Sunrise, FL 33351  
Tel.: (954) 577-4455  
Fax: (954) 929-5560  
kostenfrei: (800) 762-1084

### Technischer Support

Tel.: (954) 577-4455 (4 drücken)  
Fax: (954) 756-8015  
E-Mail: [tech@chauvetlighting.com](mailto:tech@chauvetlighting.com)

World Wide Web [www.chauvetlighting.com](http://www.chauvetlighting.com)

## GB UND IRLAND - Chauvet Europe Ltd.

### Allgemeine Informationen

Adresse: Unit 1C  
Brookhill Road Industrial Estate  
Pinxton, Nottingham, GB  
NG16 6NT  
Tel.: +44 (0)1773 511115  
Fax: +44 (0)1773 511110

### Technischer Support

E-Mail: [uktech@chauvetlighting.com](mailto:uktech@chauvetlighting.com)

World Wide Web [www.chauvetlighting.co.uk](http://www.chauvetlighting.co.uk)

## MEXIKO - Chauvet Mexiko

### Allgemeine Informationen

Adresse: Av. Santa Ana 30  
Parque Industrial Lerma  
Lerma, Mexico C.P. 52000  
Tel.: +52 (728) 285-5000

### Technischer Support

Email: [servicio@chauvet.com.mx](mailto:servicio@chauvet.com.mx)

World Wide Web [www.chauvet.com.mx](http://www.chauvet.com.mx)

## CHAUVET EUROPE - Chauvet Europe BVBA

### Allgemeine Informationen

Adresse: Stokstraat 18  
9770 Kruishoutem  
Belgium  
Tel.: +32 9 388 93 97

### Technischer Support

Email: [Eutech@chauvetlighting.eu](mailto:Eutech@chauvetlighting.eu)

World Wide Web [www.chauvetlighting.eu](http://www.chauvetlighting.eu)

Kunden außerhalb der USA, GB, Irland, Mexiko oder Benelux wenden sich an ihren Lieferanten. Befolgen Sie die Anweisungen zum Erhalt von Unterstützung oder zur Rückgabe eines Produkts. Um zu den Kontaktdaten zu gelangen, besuchen Sie bitte unsere Website.

# 1. VOORDAT U BEGINT

## Wat is er inbegrepen

Obey™ 10-regelaar  
DC 12V 500mA, 110V stroomadapter of 230V stroomadapter  
gebruikershandleiding  
Garantiekaart

## Uitpakinstructies

Direct na ontvangst van een armatuur moet u de doos voorzichtig uitpakken en de inhoud bekijken om te controleren of alle onderdelen aanwezig zijn en in goede conditie zijn ontvangen. Als er onderdelen beschadigd zijn door de verzending of tekenen van ruwe behandeling vertonen, laat dit dan onmiddellijk weten aan de vervoerder en bewaar het verpakkingsmateriaal voor inspectie. Bewaar het karton en alle verpakkingsmaterialen. Als er een armatuur naar de fabriek teruggestuurd moet worden, is het belangrijk om de armatuur in de oorspronkelijke fabrieksdoos en -verpakking te verzenden.

## Veiligheidsinstructies



**Lees deze instructies zorgvuldig door, ze bevatten belangrijke informatie over de installatie, het gebruik en het onderhoud van dit product.**

- Bewaar deze gebruikersgids voor toekomstige naslag. Als u het apparaat verkoopt aan een andere gebruiker moet u ervoor zorgen dat zij dit instructieboekje ook ontvangen.
- Zorg er altijd voor dat u aansluit op de juiste spanning en dat de lijnspanning waar u op aansluit niet hoger is dan vermeld op de sticker of het achterpaneel van de armatuur.
- Het product is alleen bedoeld voor gebruik binnenshuis!
- Om het risico op brand en schokken te vermijden mag u de armatuur niet blootstellen aan regen of vocht. Controleer dat er tijdens gebruik geen ontvlambare materialen dichtbij de eenheid staan.
- De eenheid moet op een locatie zijn geïnstalleerd met voldoende ventilatie, op ten minste 50 cm afstand van aangrenzende oppervlakken. Zorg ervoor dat de ventilatiesleuven nooit geblokkeerd worden.
- Ontkoppel altijd de stroombron vóór het plegen van onderhoud of het vervangen van de lamp of zekering en zorg dat u het vervangt met een zelfde lampbron.
- Stop direct met het gebruik van de eenheid in geval van ernstige gebruiksproblemen. Repareer de eenheid nooit zelf. Reparaties die worden uitgevoerd door onopgeleide personen kunnen leiden tot schade of storingen. Neem contact op met het dichtstbijzijnde bevoegde technische hulpcentrum. Gebruik altijd hetzelfde type reserveonderdelen.
- Sluit het apparaat niet aan op een dimmerpakket.
- Zorg ervoor dat het stroomsnoer nooit knikt of beschadigt.
- Maak het nooit van het stopcontact los door aan het snoer te rukken of te trekken.
- Gebruik dit apparaat niet in omgevingstemperaturomstandigheden van meer dan 45 °C.
- Sluit om onnodige slijtage te verhinderen en de levensduur te verlengen tijdens periodes van niet-gebruik het product via stroomonderbreker of de stekker volledig van stroom af.

### **Let op!**

***Binnen het apparaat bevinden zich geen onderdelen die door de gebruiker te repareren zijn. Open nooit de behuizing en probeer niet zelf reparaties uit te voeren. In het onwaarschijnlijke geval dat uw apparaat een reparatie nodig heeft, kunt u contact opnemen met Chauvet [www.chauvetlighting.com](http://www.chauvetlighting.com).***

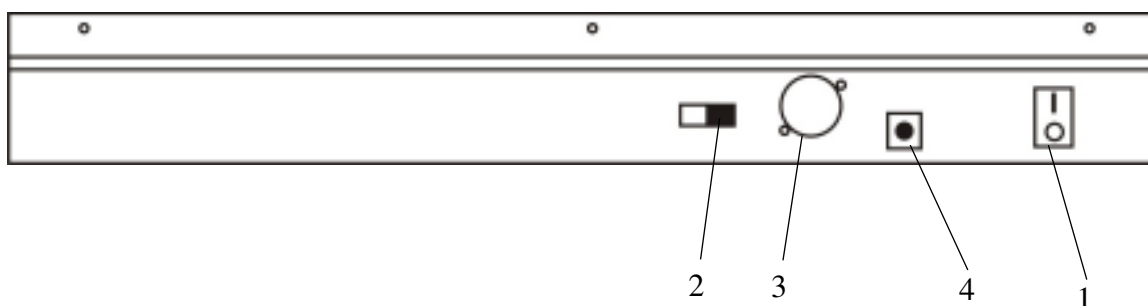
## 2. INLEIDING

De Obey™ 10 is een universele intelligente verlichtingsregelaar. Het maakt de bediening mogelijk van 8 armaturen die zijn samengesteld uit 16 kanalen elk en tot 6 programmeerbare achtervolgingen. Zes achtervolgingsbanken kunnen tot 999 stappen bevatten. Programma's kunnen worden ingeschakeld door muziek, automatisch of handmatig. Kanaaltoewijzingen kunnen opnieuw geprogrammeerd worden voor bedieningsgemak van de verschillende armaturen. Op het oppervlak vindt u verschillende programmeringsmiddelen, zoals 8 universele kanaalschuiven, snelle scannerknoppen en een LED-displayindicator voor eenvoudiger navigatie van bedieningselementen en menufuncties.

### Eigenschappen

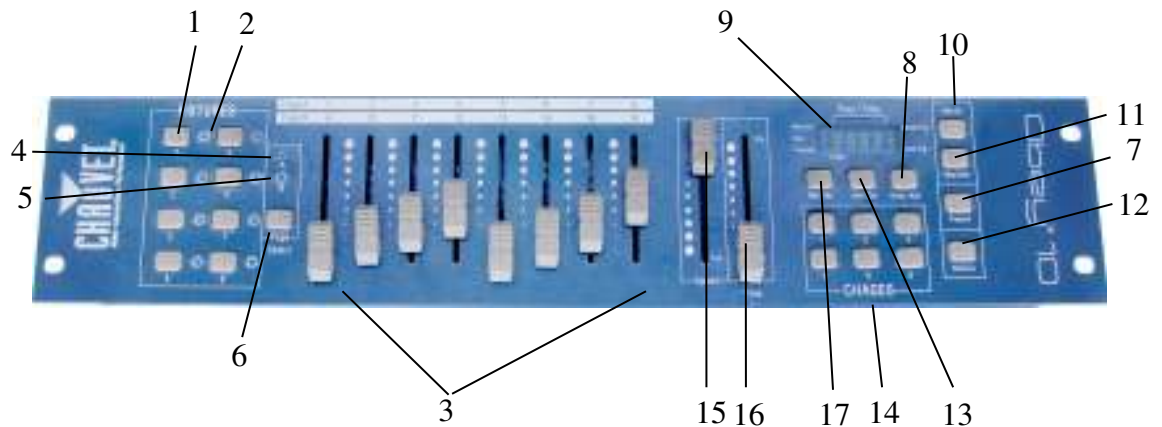
- Universele DMX-512 regelaar
- Bedient tot wel 8 intelligent lampen van 16 kanalen per stuk
- 128 DMX-regelkanalen
- 6 sets achtervolgingen met elk 999 scènes
- Omkeerbare schuiven
- Opnieuw toe te wijzen kanalen
- Sequentiële koppeling van achtervolgingen
- Pak direct een armatuur
- Beatactivatie en automatische uitvoering
- DMX-polariteitselector
- Rekmontage met 2 plekken (2U)

### Productoverzicht (achterpaneel)



Item	Knop of fader	Functie
1	Aan/uit-schakelaar	Wordt gebruikt om de stroom in/uit te schakelen als het op de stroomadapter is aangesloten
2	DMX-polariteitsschakelaar	Kan worden gebruikt om de signaalpolariteit te veranderen
3	DMX-uitgangstekker	DMX-regelsignaal
4	DC-ingangstekker	Hoofdvoeding

## Productoverzicht (voorzijde)



Item	Knop of fader	Functie
1	Selectieknoppen voor de armatuur	Armatuurselectie
2	LED-lampjes voor de armatuur	Geeft de armaturen aan die op dit moment zijn geselecteerd
3	Kanaalfaders	Voor het afstellen van de DMX-waarden kan Ch 1-8 direct worden afgesteld na het indrukken van de betreffende scannerselectieknop, Ch 9-16 na het indrukken van de paginaselectieknop.
4	LED-lampje pagina A	Vertegenwoordigt het bereik van Ch 1-8
5	LED-lampje pagina B	Vertegenwoordigt het bereik van Ch 9-16
6	Paginaselectieknop	Indrukken om te schakelen tussen bedieningspagina's.
7	Programmaknop	Wordt gebruikt om naar de programmeringsmodus te gaan
8	Knop voor muziek/kopie toevoegen	Wordt gebruikt om muziek te activeren en als de bevestigingsopdracht tijdens het programmeren
9	LED-displayvenster	Statusvenster toont pertinente operationele gegevens
10	Stap omhoog-knop	Functieknop om door stappen in een scène te bladeren tijdens het programmeren en afspelen
11	Stap omlaag-knop	Functieknop om door stappen in een scène te bladeren tijdens het programmeren en afspelen
12	Verduisteringsknop	Verlaagt alle DMX-waarden naar nul.
13	Auto/Del-knop	Wordt gebruikt om de automatische modus te activeren en als de functietoets wissen, tijdens het programmeren
14	Achtervolgingsknoppen	Achtervolgingsgeheugen 1 ~ 6
15	Snelheidsfader	Dit stelt de vasthoudtijd af van een scène of een stap binnen een achtervolging
16	Fadetijd fader	Wordt ook wel beschouwd als een cross-fade, stelt de intervaltijd in tussen twee scènes in een achtervolging
17	Stap/dis-knop	Dit wordt gebruikt om de stappen te veranderen en het display te wijzigen van 0-255 of 0-100%

## Veelgebruikte termen

De nu volgende termen zijn veelgebruikte termen in intelligente lichtprogrammering.

- § **Verduistering** is een toestand waarin de lichtuitvoer van alle verlichtingsarmaturen is ingesteld naar 0 of uit, meestal op tijdelijke basis.
- § **DMX-512** is een digitaal communicatieprotocol dat de industriestandaard is en wordt gebruikt in amusementsverlichting. Lees voor meer informatie de paragrafen “DMX-primer” en “DMX-regelmodus” in de Bijlage.
- § **Armatuur** heeft betrekking op uw verlichtingsarmatuur of ander apparaat, zoals een rookmachine of dimmer die u kunt bedienen.
- § **Programma's** is een verzameling scènes die op elkaar volgen. Het kan worden geprogrammeerd als een enkele scène of meerdere scènes in een volgorde.
- § **Scènes** zijn statische verlichtingstoestanden.
- § **Schuiven** zijn ook wel bekend als faders.
- § **Achtervolgingen** kunnen ook programma's genoemd worden. Een achtervolging bestaat uit een verzameling scènes die op elkaar volgen.
- § **Scanner** verwijst naar een verlichtingssinstrument met een zwenk- en kantelspiegel; DMX-regelaars kunnen deze term echter gebruiken om een met DMX-512 compatibel apparaat te bedienen als een generieke armatuur.
- § **MIDI** is een standaard voor het representeren van muziek informatie in een digitaal formaat. Een MIDI-ingang voorziet in externe inschakeling van scènes met een midi-apparaat, zoals een midi-toetsenbord.
- § **Losstaand** verwijst naar de mogelijkheid van een armatuur om onafhankelijk van een externe regelaar te functioneren en meestal gesynchroniseerd met muziek, dankzij een ingebouwde microfoon.
- § De **Fade**-schuif wordt gebruikt om de tijd tussen scènes in een achtervolging af te stellen.
- § De **Speed**-schuif (snelheid) is van invloed op hoe lang een scène zijn toestand vasthoudt. Het wordt ook wel beschouwd als wachttijd.
- § De **Shutter** (sluiter) is een mechanisch apparaat in de verlichtingsarmatuur die u het lichtpad laat blokkeren. Het wordt vaak gebruikt om de intensiteit van de lichtuitvoer en naar de stroboscoop te verminderen.
- § **Patching** verwijst naar het proces van het toewijzen van faders aan een DMX-kanaal binnen een armatuur.
- § **Playbacks** (afspelen) kunnen scènes of achtervolgingen zijn die direct door de gebruiker worden uitgevoerd. Een playback kan ook worden beschouwd als programmageheugen dat tijdens een show opgeroepen kan worden.

# 3. GEBRUIKSINSTRUCTIES

## Instelling

### Instellen van het systeem

- 1) Plaats de Obey™ 10 op een vlakke ondergrond.  
*Let op! De Obey™ 10 kan ook in een rek gemonteerd worden, waarbij het twee rekplaatsen bezet (2U).*
- 2) Steek de wisselstroom naar gelijkstroom-adapter in het achterpaneel van het systeem in in het stopcontact.
- 3) Sluit uw DMX-kabel(s) aan op uw intelligente verlichting, zoals is beschreven in de handleiding van de betreffende armatuur. Zie voor een snel overzicht van de DMX de paragraaf "DMX-primer"
- 4) Reset het systeem met de instructies op pagina 9.

### Adressering van de armatuur

De Obey™ 10 is geprogrammeerd om 16 DMX-kanalen DMX per armatuur te bedienen. Daarom moeten de armaturen die u wilt bedienen met de betreffende "FIXTURE"-knoppen op het apparaat ten minste 16 kanalen uit elkaar zijn geplaatst (controleer de handleiding van de betreffende armatuur over het invoeren van de informatie in de armatuur).

**Let op:** het niet gebruiken van deze DMX-toewijzingen kan een bedieningsverlies van de armaturen veroorzaken.

ARMATUUR OF SCANNER #	STANDAARD DMX-STARTADRES	BINAIRE DIPSCHAKELAAR-INSTELLINGEN SCHAKELEN NAAR DE "AAN-STAND"
1	1	1
2	17	1,5
3	33	1,6
4	49	1,5,6
5	65	1,7
6	81	1,5,7
7	97	1,6,7
8	113	1,5,6,7



## Fysieke fadertoewijzing (OPTIONELE INSTELLING)

Gebruik deze functie om armatuurregelingsattributen te combineren of verenigen voor verschillende armaturen. Bijvoorbeeld; als u 4 bewegende spiegels en 4 bewegende steunen bedient, dan kan het zijn dat de kleur, gobo en dimmerkanalen niet ideaal uitlijnen op de fysieke faders. Gebruik deze functie om de dimmer-, kleur-, en gobokanalen opnieuw toe te wijzen aan faders 1, 2 en 3. Vanaf nu kunt u dezelfde attributen bedienen op alle armaturen die dezelfde faderlocatie gebruiken.

### Actie •

- 1) Druk de knoppen **PROGRAM & STEP/DIS** samen (1) keer in om naar de kanaaltoewijzingsmodus te gaan.
- 2) Druk op een **FIXTURE-knop** die de armatuur representeert waarvan u de faders opnieuw wilt toewijzen.
- 3) Beweeg de **SPEED**-fader totdat u bij een regelaarkanaal aankomt (nummer).
- 4) Beweeg de **FADE TIME**-fader om het DMX-kanaal te selecteren waar u naar wilt verplaatsen.
- 5) Druk op de knop **MUSIC/ADD** om de instelling te bevestigen. Alle LED-lampjes van de **FIXTURES** zullen knipperen om een succesvolle kopie te bevestigen.
- 6) Herhaal stappen 3 ~ 5 zo vaak als nodig is.

Als u de fysieke toewijzingen van een scanner wilt kopiëren naar een andere scanner, ga dan verder met het volgen van stappen 7-13. Als u dit niet wilt doen, druk dan tweemaal op de knoppen **PROGRAM** en **Step/Dis** om de modus af te sluiten.

*Voorbeeld:* Kopiëren van scanner 1 in scanner 2

- 1) Houd **FIXTURE**-knop # 1 ingedrukt.
- 2) Druk bij het vasthouden van knop # 1 **FIXTURE**-knop # 2 in.
- 3) Houd bij het vasthouden van **FIXTURE-knoppen** # 1 en # 2, de knop **MUSIC/ADD** ingedrukt.
- 4) Laat **SCANNER**-knop # 1 eerst los voordat u **SCANNER**-knop # 2 loslaat.
- 5) Laat de knop **MUSIC/ADD** los.
- 6) Alle LED-lampjes van de **FIXTURES** zullen knipperen om een succesvolle kopie te bevestigen.
- 7) Druk de knoppen **PROGRAM & STEP/DIS** samen (2) keer in om de modus af te sluiten.

### Opmerkingen ✖

*Alle fysieke faders kunnen opnieuw toegewezen worden aan een uitgang van een ander DMX-kanaal. Faders krijgen een kanaalnummer en worden hiermee op het oppervlak van de regelaar gelabeld.*

## Omgekeerde kanaaluitgang (OPTIONELE INSTELLING)

### Actie •

- 1) Druk de knoppen **PROGRAM & STEP/DIS** samen (2) keer in om naar de kanaaltoewijzingsmodus te gaan, druk daarna op de knop **FIXTURE**.
- 2) Selecteer **FIXTURE**.
- 3) Beweeg de **SPEED**-fader totdat u bij een regelaarkanaal aankomt die u wilt wijzigen.
- 4) Beweeg de **FADE TIME**-fader helemaal omhoog totdat N verandert in Y.  
Als u de omgekeerde kanaaltoewijzingen van een scanner wilt kopiëren naar een andere scanner, ga dan verder met het volgen van stappen 5-11. als u dat niet wilt doen, druk dan (1) maal op de knoppen **PROGRAM & TAPSYNC** om de modus af te sluiten.

*Voorbeeld:* Kopiëren van scanner 1 in scanner 2

- 1) Houd **FIXTURE**-knop # 1 ingedrukt.
- 2) Druk bij het vasthouden van knop # 1 **FIXTURE**-knop # 2 in.
- 3) Houd bij het vasthouden van **FIXTURE**-knoppen # 1 en # 2, de knop **MUSIC/ADD** ingedrukt.
- 4) Laat **FIXTURE**-knop # 1 eerst los voordat u **FIXTURE**-knop # 2 loslaat.
- 5) Laat de knop **MUSIC/ADD** los.
- 6) Alle LED-lampjes van de **FIXTURES** zullen knipperen om een succesvolle kopie te bevestigen.
- 7) Druk de knoppen **PROGRAM & STEP/DIS** samen (1) keer in om de modus af te sluiten.

### Opmerkingen ✖

*U kunt de uitvoer van een gegevens kanaal permanent omkeren op de regelaar.*

## Herstellen naar de fabrieksstandaard

### Actie •

- 1) Druk tegelijkertijd op de knoppen **STEP UP** en **AUTO/DEL**.
- 2) Alle LED-lampjes knipperen, wat een succesvolle reset van de regelaar aangeeft.

### Opmerkingen ✖

*Dit wist alle opgeslagen achterevoelgelingen!*

*Dit werkt in elke modus: Programmeren of afspelen.*

## Verduistering

De **Blackout**-knop brengt alle verlichtingsuitvoer naar 0 of uit (ook wel de startpositie van het apparaat genoemd).

## Fadetoewijzing (OPTIONELE INSTELLING)

Gebruik deze functie om de fadeschuif aan of uit te zetten voor een bepaald kanaal. Dit is het meest bruikbaar als u wilt dat de fadetijd de zwenking/kanteling van een armatuur beïnvloedt voor soepeler bewegingen, maar als u deze functie niet wilt gebruiken voor andere dingen, zoals de sluiters of kleuren of gobo, aangezien die soms erg snel moeten schakelen.

### Actie •

- 1) Druk de knoppen **BLACKOUT & STEP/DIS** samen (2) keer in om naar de kanaaltoewijzingsmodus te gaan, druk daarna op de knop **FIXTURE**.
- 2) Selecteer **FIXTURE**.
- 3) Beweeg de **SPEED**-fader totdat u bij een regelaarkanaal aankomt die u wilt wijzigen.
- 4) Beweeg de **FADE TIME**-fader helemaal omhoog totdat N verandert in Y.
- 5) Druk op de knop **MUSIC/ADD**.
- 6) Laat de knop **MUSIC/ADD** los.
- 7) Alle LED-lampjes van de **FIXTURES** zullen knipperen om een succesvolle instelling te bevestigen.
- 8) Druk de knoppen **BLACKOUT & STEP/DIS** samen (1) keer in om de modus af te sluiten.

### Opmerkingen ✖

*Dit zal de fadetijd voor een kanaal permanent uitschakelen totdat de gebruiker het weer aan/uit zet.*

## Programmeren

Een programma (bank) is een reeks verschillende scènes (of stappen) die een voor een aangeroepen zullen worden. In de Obey™ 10, kunnen 6 programma's worden aangemaakt met elk 999 stappen.

### Naar de programmeringsmodus gaan

Druk 3 seconden op de knop **PROGRAM** totdat er een LED-lampje naast het label **PROGRAM** gaat knipperen. Dit geeft aan dat de gebruiker in de programmeringsmodus is.

#### Actie •

- 1) Houd de knop **PROGRAM** drie seconden ingedrukt.
- 2) Selecteer een **FIXTURE** om te programmeren.
- 3) Selecteer een achtervolging om het programma op te slaan (1~6).
- 4) Stel een voorstelling samen door de **FADERS** te bewegen. (Veranderingen in armatuurattribuut zoals kleuren en gobo's.) Druk op **PAGE SELECT** om naar kanalen 9~16 op de faders te gaan.
- 5) Om een andere **FIXTURE** te programmeren drukt u op de knop **FIXTURE** die u net hebt geprogrammeerd, waarna u een andere **FIXTURE**-knop selecteert om te programmeren.
- 6) Herhaal stappen 2 ~ 4 totdat u uw voorstelling hebt.
- 7) Tik op de knop **MUSIC/ADD** om op te slaan.
- 8) Alle **FIXTURES** LED-lampjes knipperen, wat een succesvolle opslag van de stap in het geheugen aangeeft.
- 9) De display gaat automatisch naar de volgende stap. Gebruik de knoppen **Step Up** en **Step Down** om door de bestaande stappen in de achtervolging te navigeren.
- 10) Herhaal stappen 2 ~ 8 om meer scènes op te nemen.  
(Lees de belangrijke opmerkingen op de rechterzijde ->)
- 11) Houd de knop **PROGRAM** drie seconden ingedrukt om de programmeringsmodus af te sluiten. De regelaar gaat standaard naar een **BLACKOUT** wanneer de programmeur wordt afgesloten.

#### Opmerkingen ✖

*Deselecteer **Blackout** als de LED brandt.*

*Een **FIXTURE**-knop representeert een verlichtingsarmatuur.*

*U kunt naar kanalen 9~16 gaan door de knop **Page Select** in te drukken. Dit is noodzakelijk voor armaturen die meer dan 8 regelkanalen gebruiken. Bij het wisselen van pagina's is het noodzakelijk om eerder bewogen faders op en neer te bewegen om te activeren.*

*Door opnieuw op dezelfde **FIXTURE**-knop te drukken houdt u de parameters gewijzigd voor die armatuur in de programmacène.*

*Er zijn voor elke achtervolging 999 scènes beschikbaar.*

### Een stap verwijderen

#### Actie •

- 1) Druk 3 seconden op de knop **PROGRAM**.
- 2) Druk op de knop **Chase** (1~6) voor de betreffende achtervolging die u wilt bewerken.
- 3) Zoek de stap in het programma door de knoppen **Step Up** en **Step Down** te gebruiken.
- 4) Druk op de knop **Auto/Del** om de huidige stap te verwijderen.
- 5) Alle **FIXTURES** LED-lampjes knipperen, wat een succesvolle verwijdering van de stap uit het geheugen aangeeft.
- 6) Wanneer u klaar bent met het verwijderen van de stappen, houdt u de knop **Program** 3 seconden ingedrukt om de programmeringsmodus te verlaten.

#### Opmerkingen ✖

*Deselecteer **Blackout** als de LED brandt..*

*De huidige geselecteerde scène zal naar de lamparmaturen worden uitgevoerd die zijn verbonden aan de DMX-uitgang.*

## Een achtervolging verwijderen

### Actie •

- 1) Druk 3 seconden op de knop **PROGRAM**.
- 2) Houd de knop **AUTO/DEL** ingedrukt terwijl u de achtervolging intoetst die u wilt wissen.
- 3) Alle LED's knipperen, wat aangeeft dat de achtervolging succesvol is gewist.

### Opmerkingen ✖

*! Dit wist alle opgeslagen stappen in de achtervolging!*

## Een stap toevoegen aan een achtervolging

### Actie •

- 1) Houd de knop **PROGRAM** drie seconden ingedrukt om naar de programmeringsmodus te gaan.
- 2) Druk op de gewenste **CHASE** (1~6) knop.
- 3) Gebruik de knoppen **Step Up/Step Down** om door de achtervolging te bladeren en te arriveren bij het stapnummer voor welke u een stap wilt toevoegen.
- 4) Selecteer een **FIXTURE**-knop.
- 5) Stel de **Faders** af naar de gewenste voorstelling op het podium.
- 6) Druk de knop **Music/Add** in en er wordt een stapnummer toegevoegd na het eerder vertoonde stapnummer. Alle LED-lampjes van de **FIXTURES** zullen knipperen om een succesvolle kopie te bevestigen.
- 7) Herhaal stappen 3~6 totdat alle scènes aan de achtervolging zijn toegevoegd.
- 8) Houd de knop **PROGRAM** drie seconden ingedrukt om de programmeringsmodus af te sluiten.

### Opmerkingen ✖

*De stap zal worden toegevoegd nadat de scène wordt weergegeven op de digitale display.*

## Een achtervolging wissen

### Actie •

- 1) Houd de knop **PROGRAM** drie seconden ingedrukt om naar de programmeringsmodus te gaan.
- 2) Druk op de knop **CHASE** (1~6) die gewist moet worden.
- 3) Houd de **AUTO/DEL**-knop en de betreffende **CHASE**-knop ingedrukt en laat ze daarna los om de achtervolging te verwijderen. Alle LED-lampjes knipperen 3 keer. Alle LED-lampjes van de **FIXTURES** zullen knipperen om een succesvolle kopie te bevestigen.

### Opmerkingen ✖

*Stappen blijven op de regelaar geprogrammeerd. Alleen de achtervolging wordt beïnvloed.*

## Afspelen

### Handmatig afspelen van een achtervolging

Wanneer de stroom voor het eerst wordt ingeschakeld, is de regelaar in handmatige scènemodus.

#### Actie •

- 1) Controleer dat er geen **MUSIC TRIGGER** of **AUTO TRIGGER** LED-lampjes op het LED-display branden.
- 2) Selecteer het programma met de knop **CHASE** die de scène opslaat die u handmatig wilt afspelen met **STEP UP/DOWN**.

#### Opmerkingen ¥

*Als u in de programmeringsmodus zit, kunt u ook de knop **PROGRAM** ingedrukt houden totdat het LED-lampje **Program** uit gaat.*

### Afspelen in geluidsmodus

#### Actie •

- 1) Druk op de knop **MUSIC/ADD** totdat het LED-lampje **MUSIC TRIGGER** gaat branden.
- 2) Selecteer de **CHASE** die u wilt besturen.
- 3) Druk op de knop **Auto/Del** om de achtervolging te verwijderen.

#### Opmerkingen ¥

*In de geluidsmodus zullen programma's door het geluid ingeschakeld worden met de ingebouwde microfoon. Alle scènes in een bank zullen achtervolgen.*

### Afspelen in automatische modus

#### Actie •

- 1) Houd de knop **AUTO/DEL** ingedrukt totdat het LED-lampje **AUTO TRIGGER** gaat branden.
- 2) Selecteer de **CHASE** die u wilt besturen.
- 3) U kunt de tijd tussen stappen instellen door de **SPEED**-fader te bewegen en de fadetijs van de stap door de **FADE TIME**-fader te bewegen.
- 4) U kunt tijdens het gebruik banken veranderen met de knoppen **STEP UP/DOWN**.

#### Opmerkingen ¥

*In de automatische modus zullen programma's worden ingeschakeld door de fade- en snelheidstijd van de regelaars, zoals ze op de faders zijn ingesteld. Alle scènes in een bank zullen achtervolgen.*

**LET OP!** De fade-instelling mag nooit lager zijn dan de snelheidsinstelling, anders zal de scène nooit helemaal afgespeeld worden.

### Afspelen van sequentiële achtervolgingen

#### Actie •

- 1) Druk op de knoppen **AUTO/DEL** of **MUSIC/ADD** om de inschakelingsmodus te selecteren.
- 2) Druk op de knop **CHASE** voor elke achtervolging die u aan het afspeelschema wilt toevoegen.
- 3) Stel de achtervolgingsnelheid in door de **SPEED**-fader te veranderen.

#### Opmerkingen ¥

*Achtervolgingen moeten al zijn geprogrammeerd.*

*De achtervolgingen worden afgespeeld in de volgorde waarin ze ingedrukt worden.*

*Om een achtervolging te verwijderen van de afspeellijst drukt u op de knop **CHASE** die u wilt uitsluiten van het afspelen.*

# 4. BIJLAGE

## Technische Specificaties

### GEWICHT EN AFMETINGEN

Lengte ..... 482 mm  
Breedte ..... 89 mm  
Hoogte ..... 89 mm  
Gewicht ..... 1,78 kg

### VERMOGEN

Bedrijfsbereik ..... DC 12V 500mA max  
Adapter ..... Meegeleverd

### THERMISCH

Maximale omgevingstemperatuur ..... 45 °C

### BEDIENING EN PROGRAMMERING

Gegevensuitgang ..... vergrendelende 3-pin XLR vrouwelijke houder  
Configuratie van de gegevenspen ..... pin 1 afgeschermd, pin 2 (-), pin 3 (+)  
Protocollen ..... DMX-512 USITT

### BESTELINFORMATIE

Obey™ 10-regelaar ..... OBEY10

### GARANTIE-INFORMATIE

Garantie ..... 2-jarige beperkte garantie



# RETOUREN

Als u ondersteuning nodig hebt of een product wilt retourneren:

- Neem contact op met het Chauvet wereldwijde hoofdkwartier als u zich in de VS bevindt (zie [Neem contact Op](#)).
- Als u zich in Verenigd Koninkrijk en Ierland bevindt, neem dan contact op met Chauvet Europe Ltd. (zie [Neem contact Op](#)).
- Als u zich in Mexico bevindt, neem dan contact op met Chauvet Mexico (zie [Neem contact Op](#)).
- Als u zich in Benelux bevindt, neem dan contact op met Chauvet Europe BVBA (zie [Neem contact Op](#)).
- Als u zich in een ander land bevindt, neem dan GEEN contact op met Chauvet. Neem in plaats daarvan contact op met uw plaatselijke distributeur. Zie [www.chauvetlighting.com](http://www.chauvetlighting.com) voor distributeurs buiten de VS, Verenigd Koninkrijk, Ierland, Mexico, of Benelux.



**Als u zich buiten de VS, Verenigd Koninkrijk, Ierland, Mexico of Benelux bevindt, neem dan contact op met uw geregistreerde distributeur en volg hun instructies over het retourneren van Chauvet-producten naar hen. Ga naar onze website [www.chauvetlighting.com](http://www.chauvetlighting.com) voor contactinformatie.**

Bel de corresponderende technische afdeling van Chauvet en vraag om een retouropdrachtformulier (RMA)-nummer vóór het verzenden van het product. Zorg dat u het modelnummer, serienummer en een korte beschrijving van de retouroorzaak bij de hand hebt.

Stuur het product gefrankeerd, in zijn originele doos en met zijn originele verpakking en accessoires. Chauvet geeft geen telefoon-tags.

Label het pakket duidelijk met het RMA-nummer. Chauvet weigert producten die worden geretourneerd met een RMA-nummer.



**Schrijf het RMA-nummer op een voldoende bevestigd etiket. Schrijf het RMA-nummer NIET direct op de doos.**

Vóór het verzenden van het product moet u de volgende informatie duidelijk op een stuk papier schrijven en het binnen de doos plaatsen:

1. Uw naam:
2. Uw adres:
3. Uw telefoonnummer
4. RMA-nummer
5. Een korte beschrijving van het probleem

Zorg ervoor dat u het product voldoende inpakt. Alle verzendschade die resulteert uit onvoldoende verpakking is uw verantwoordelijkheid. FedEx-verpakking of dubbele dozen worden aanbevolen.



**Chauvet behoudt zich het recht voor om (het) geretourneerde product(en) naar eigen inzicht te repareren of te vervangen.**

# NEEM CONTACT OP

## HOOFDKANTOOR WERELD - Chauvet

### Algemene Informatie

Adres: 5200 NW 108<sup>th</sup> Avenue  
Sunrise, FL 33351  
Bandopname: (954) 577-4455  
Fax: (954) 929-5560  
Toll free: (800) 762-1084

### Technische Support

Bandopname: (954) 577-4455 (druk op 4)  
Fax: (954) 756-8015  
E-mail: [tech@chauvetlighting.com](mailto:tech@chauvetlighting.com)

World Wide Web [www.chauvetlighting.com](http://www.chauvetlighting.com)

## VERENIGD KONINKRIJK EN IERLAND - Chauvet Europe Ltd.

### Algemene Informatie

Adres: Unit 1C  
Brookhill Road Industrial  
Estate  
Pinxton, Nottingham, UK  
NG16 6NT  
Bandopname: +44 (0)1773 511115  
Fax: +44 (0)1773 511110

### Technische Support

E-mail: [uktech@chauvetlighting.com](mailto:uktech@chauvetlighting.com)

World Wide Web [www.chauvetlighting.co.uk](http://www.chauvetlighting.co.uk)

## MEXICO - Chauvet Mexico

### Algemene Informatie

Adres: Av. Santa Ana 30  
Parque Industrial Lerma  
Lerma, Mexico C.P. 52000  
Bandopname: +52 (728) 285-5000

### Technische Support

E-mail: [servicio@chauvet.com.mx](mailto:servicio@chauvet.com.mx)

World Wide Web [www.chauvet.com.mx](http://www.chauvet.com.mx)

## CHAUVET EUROPE - Chauvet Europe BVBA

### Algemene Informatie

Adres: Stokstraat 18  
9770 Kruishoutem  
Belgium  
Bandopname: +32 9 388 93 97

### Technische Support

E-mail: [servicio@chauvet.com.mx](mailto:servicio@chauvet.com.mx)

World Wide Web [www.chauvet.com.mx](http://www.chauvet.com.mx)

Van buiten de VS, Verenigd Koninkrijk, Ierland, Mexico, of Benelux kunt u contact opnemen met de distributeur. Volg hun instructies om support aan te vragen of om een product te retourneren. Ga naar onze website voor contactinformatie.